

VERSALINE VL

Centrifugal Inline Fan

ELTA

» **Select** models available for next day delivery



VERSALINE VL

Product Overview



- 6 standard sizes from 100mm to 315mm
- Air volume flow rates up to 0.34 m³/s
- Static pressures up to 484 Pa
- Suitable for operating temperatures up to +50°C
- Available in **AC**

All metal in-line centrifugal fans which are ideally suited to a wide range of commercial and industrial applications. They provide the ideal solution for high performance requirements in low airflow, medium pressure systems.

Easy Installation

All models are designed for direct connection to standard diameter flexible or rigid circular ducting with 25mm long spigots for ease of connection. The integral mounting bracket provides a fast, simple approach to fixing the fan in position.

Space Saving

A compact casing design, combined with high performance makes the product ideal for ceiling void mounting.

Efficient Performance

The single inlet, single width backward curved centrifugal impeller is designed to be non overloading and self cleaning ensuring efficiency.

Ease of Wiring

Fitted with flying lead and UK 3 Pin plug for quick electrical connection at full speed operation. Can be removed for speed control.

Warranty

Each Versaline has a 12 month warranty.

Construction

Casings have a galvanised pressed sheet steel construction, providing a robust, long lasting and corrosion resistant casing. All Versaline units are supplied complete with integral mounting brackets manufactured from galvanised sheet steel for horizontal or vertical mounting arrangements.

Motor

Motors have sealed for life ball bearings to enable the fan to be mounted at any angle. They are protected to IP44 with Class F insulation; suitable for speed control and ambient operating temperatures up to +50°C with built in thermal overload protection. Non self-resetting thermal cut-outs are fitted in accordance with EN60335-2-80. Motors are wound for 230V/1Ph/50Hz/60Hz supply.

Impeller

All impellers are single inlet backward curved centrifugal type. Impellers are balanced to ISO 14694 Grade G6.3.

Typical Applications

- Toilets
- Café
- Entrance Halls
- Duct Ventilation Boost
- Bathrooms
- Equipment Cooling
- Air Curtain Supply
- Restaurants

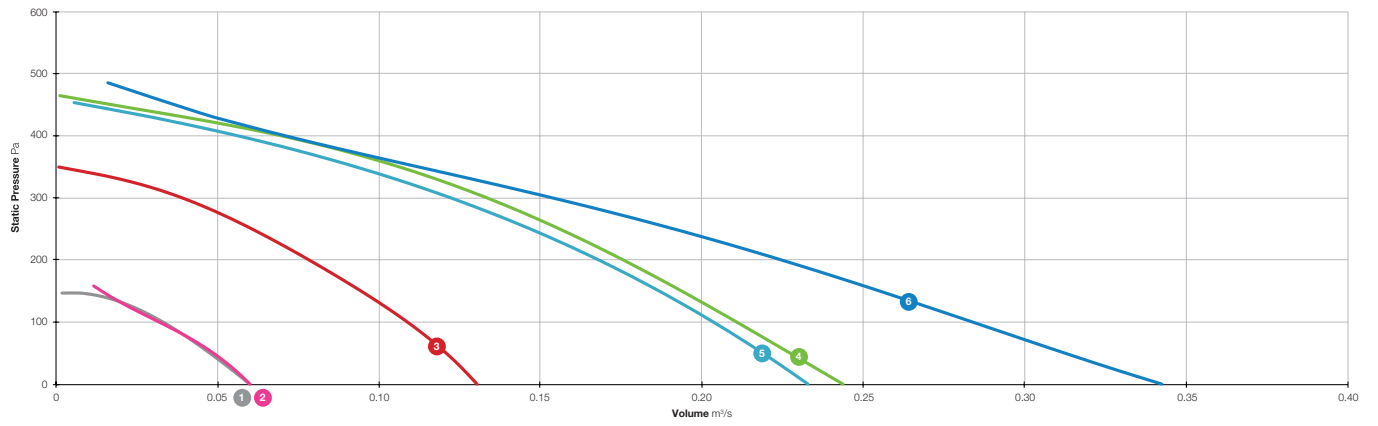
Contents

Page	Information
3	Performance Range Curves
4	Performance, SFP & Electrical Data
5	Sound Data
6	Dimensional Data
7	EcoDesign 1253/2014
8	Accessories
19	Notes

VERSALINE VL



Performance Range Curves



- 1 VL100
- 2 VL125
- 3 VL150
- 4 VL200
- 5 VL250
- 6 VL315

VERSALINE VL



Performance, SFP & Electrical Data

Single Phase 220V to 240V / 50Hz

Product Code	Speed r/min	Airflow SFP	Airflow m ³ /s @ Static Pressure Pa											At Best Efficiency Point		Electrical Data		dBA @ 3m	
			0	25	50	75	100	150	200	250	300	350	400	Overall Eff %	Input kW	Peak Amps			
VL100	2725	m ³ /s	0.060	0.053	0.047	0.040	0.033	-	-	-	-	-	-	13.5	0.025	0.14	Inlet	42	
		W/(L/s)	0.42	0.47	0.53	0.61	0.73	-	-	-	-	-	-				Outlet	37	
VL125	2690	m ³ /s	0.059	0.054	0.048	0.041	0.031	0.014	-	-	-	-	-	12.6	0.026	0.14	Inlet	43	
		W/(L/s)	0.43	0.47	0.53	0.62	0.80	1.79	-	-	-	-	-				Outlet	38	
VL150	2595	m ³ /s	0.130	0.125	0.120	0.115	0.108	0.094	0.078	0.060	0.039	0.001	-	25.2	0.062	0.28	Inlet	52	
		W/(L/s)	0.49	0.52	0.53	0.55	0.56	0.62	0.70	0.85	1.20	44.13	-				Outlet	50	
	2300	m ³ /s	0.112	0.108	0.101	0.092	0.081	0.065	0.051	0.036	0.015	-	-	20.3	0.051	0.26	Inlet	49	
		W/(L/s)	0.48	0.52	0.55	0.59	0.64	0.75	0.86	1.08	2.15	-	-				Outlet	47	
	2120	m ³ /s	0.090	0.081	0.065	0.055	0.049	0.038	0.029	0.017	-	-	-	13.0	0.045	0.25	Inlet	46	
		W/(L/s)	0.59	0.67	0.85	0.97	1.04	1.21	1.43	2.06	-	-	-				Outlet	44	
VL200	2565	m ³ /s	0.243	0.235	0.227	0.218	0.210	0.193	0.175	0.155	0.133	0.106	0.070	38.4	0.104	0.46	Inlet	46	
		W/(L/s)	0.39	0.43	0.46	0.48	0.48	0.50	0.51	0.51	0.51	0.63	0.96				Outlet	45	
	2395	m ³ /s	0.225	0.217	0.208	0.199	0.188	0.166	0.141	0.117	0.091	0.065	0.036	30.8	0.088	0.43	Inlet	44	
		W/(L/s)	0.34	0.45	0.50	0.52	0.50	0.50	0.51	0.57	0.73	1.03	1.89				Outlet	43	
	2100	m ³ /s	0.206	0.199	0.190	0.179	0.164	0.132	0.104	0.078	0.053	0.030	0.013	22.4	0.092	0.43	Inlet	42	
		W/(L/s)	0.42	0.46	0.50	0.53	0.56	0.67	0.78	0.91	1.05	1.59	3.66				Outlet	41	
VL250	2555	m ³ /s	0.232	0.225	0.218	0.211	0.203	0.186	0.168	0.146	0.122	0.092	0.056	35.3	0.105	0.48	Inlet	47	
		W/(L/s)	0.42	0.46	0.48	0.50	0.51	0.53	0.55	0.57	0.62	0.79	1.31				Outlet	46	
	2295	m ³ /s	0.216	0.208	0.199	0.189	0.179	0.156	0.131	0.104	0.077	0.049	0.018	26.5	0.100	0.45	Inlet	44	
		W/(L/s)	0.43	0.47	0.51	0.53	0.55	0.60	0.67	0.75	0.88	1.29	3.42				Outlet	43	
	2115	m ³ /s	0.204	0.194	0.184	0.172	0.158	0.127	0.099	0.075	0.052	0.030	-	20.2	0.099	0.44	Inlet	43	
		W/(L/s)	0.45	0.49	0.54	0.58	0.62	0.74	0.88	1.04	1.25	1.98	-				Outlet	41	
VL315	2190	m ³ /s	0.342	0.327	0.312	0.297	0.283	0.254	0.224	0.190	0.153	0.111	0.070	30.6	0.156	0.69	Inlet	46	
		W/(L/s)	0.42	0.46	0.49	0.52	0.55	0.61	0.66	0.72	0.80	1.02	1.61				Outlet	47	
	1965	m ³ /s	0.323	0.301	0.283	0.266	0.250	0.215	0.175	0.127	0.082	0.051	0.030	24.5	0.144	0.66	Inlet	44	
		W/(L/s)	0.40	0.45	0.49	0.54	0.58	0.66	0.78	0.99	1.33	1.94	3.32				Outlet	44	
	1785	m ³ /s	0.299	0.284	0.267	0.246	0.220	0.163	0.118	0.085	0.060	0.040	0.023	17.6	0.139	0.64	Inlet	42	
		W/(L/s)	0.42	0.46	0.51	0.57	0.63	0.84	1.10	1.37	1.64	2.17	3.77				Outlet	43	

Data provided is at standard air density of 1.2 kg/m³.

Overall static efficiency, r/min and FMEG values are per ISO 12759. Installation Category C. Classified to Ecodesign 1253/2014 as NRVU, UVU, 2018 compliant.

Peak Amps @ 230V / 1PH / 50Hz.

The overall A-weighted sound pressure level is at a distance of 3m with spherical free-field propagation. It is expressed in dB re-20µPa and is presented for comparative purposes only.

VERSALINE VL



Sound Data

Single Phase 220V to 240V / 50Hz

Product Code	Speed r/min		Sound Power Level dB @ Octave Band Hz								Total dB
			63Hz	125Hz	250Hz	500Hz	1kHz	2kHz	4kHz	8kHz	
VL100	2725	Inlet	65	68	65	62	55	47	36	27	72
		Outlet	64	63	62	54	50	43	37	26	68
VL125	2690	Inlet	67	70	68	62	54	47	39	29	74
		Outlet	73	65	63	55	49	42	34	25	74
VL150	2595	Inlet	75	82	74	72	64	61	54	49	84
		Outlet	74	81	74	64	64	60	52	47	83
	2300	Inlet	73	79	70	69	61	58	50	44	81
		Outlet	72	80	70	61	60	56	47	42	81
	2120	Inlet	70	76	67	66	57	54	46	40	78
		Outlet	70	77	66	57	56	52	41	37	78
VL200	2565	Inlet	72	71	69	65	60	56	50	50	76
		Outlet	72	71	66	62	59	57	53	53	76
	2395	Inlet	70	72	66	63	57	54	47	45	75
		Outlet	70	70	65	59	57	54	50	50	74
	2100	Inlet	72	69	66	61	55	51	45	40	75
		Outlet	69	69	64	58	54	52	48	47	73
VL250	2555	Inlet	68	75	69	64	61	57	51	48	77
		Outlet	72	72	71	60	59	57	50	50	77
	2295	Inlet	69	73	66	62	58	55	48	45	75
		Outlet	71	70	66	59	57	55	48	45	75
	2115	Inlet	67	71	66	60	56	53	48	44	74
		Outlet	70	69	66	56	54	52	45	41	74
VL315	2190	Inlet	80	72	70	64	60	53	50	51	81
		Outlet	77	77	71	62	61	58	53	53	81
	1965	Inlet	76	70	69	61	56	48	50	47	78
		Outlet	76	72	67	58	58	54	51	51	78
	1785	Inlet	76	70	65	59	54	50	53	43	77
		Outlet	76	73	64	57	55	53	53	46	78

Data provided at standard air density of 1.2 kg/m³.

Tests and preparation of the sound data have been carried out in accordance with BS 848 Part 2:1985 at 50% peak pressure.

The Sound Power Level Spectra are in dB re-1pW.

The overall A-weighted sound pressure level is at a distance of 3m with spherical free-field propagation. It is expressed in dB re-20μPa and is presented for comparative purposes only.

VERSALINE VL

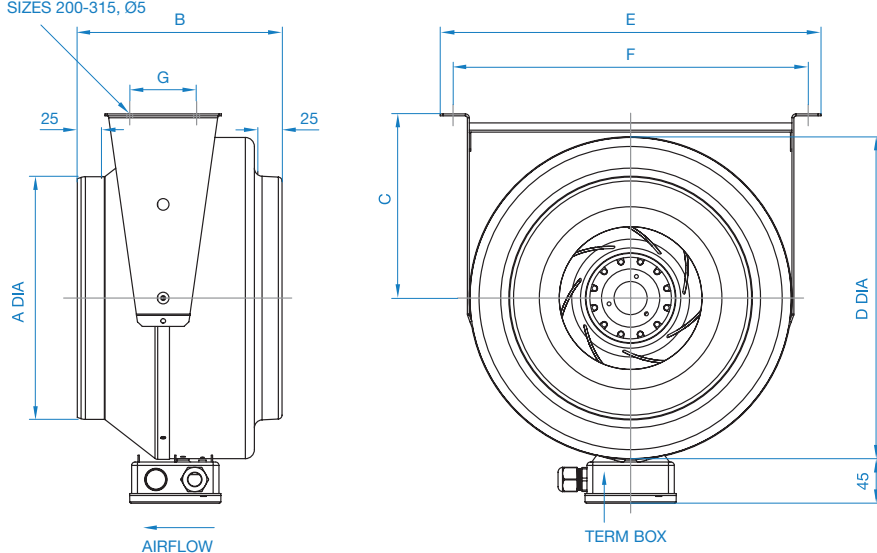


Dimensional Data

Single Phase

Product Code	A	B	C	D	E	F	G	Weight kg
VL100	98	204	130	237	284	270	47	4
VL125	123	202	130	237	284	270	47	4
VL150	148	195	165	278	326	312	47	4
VL200	198	242	190	333	392	372	100	6
VL250	248	210	190	333	392	372	100	5
VL315	313	280	227	400	460	440	100	9

2-HOLES IN EACH BRACKET
SIZES 100-160, Ø4
SIZES 200-315, Ø5



Dimensions are in mm.

Accessories

Single Phase

Product Code	3 Speed Switch	Clamps (each)	Damper	Panel Filter	Electric Heater Battery
VL100	-	018-100-CLAMP	018-100-DAMPER	018-0100-FILT-P	018-CV10-06-1M
VL125	-	018-125-CLAMP	018-125-DAMPER	018-0125-FILT-P	018-CV12-12-1M
VL150	149-MTS10	018-150-CLAMP	018-150-DAMPER	018-0150-FILT-P	018-CV15-27-1M
VL200	149-MTS10	018-200-CLAMP	018-200-DAMPER	018-0200-FILT-P	018-CV20-30-1M
VL250	149-MTS10	018-250-CLAMP	018-250-DAMPER	018-0250-FILT-P	018-CV25-30-1M
VL315	149-MTS10	018-315-CLAMP	018-315-DAMPER	018-0315-FILT-P	018-CV31-30-1M

Product Code	Spigot Silencer 300mm Long	Spigot Silencer 600mm Long	Spigot Silencer 900mm Long	Spigot Silencer 1200mm Long	Wiring Diagram
VL100	068-0100-JF1	068-0100-JF2	068-0100-JF3	068-0100-JF4	152-549
VL125	068-0125-JF1	068-0125-JF2	068-0125-JF3	068-0125-JF4	152-549
VL150	068-0150-JF1	068-0150-JF2	068-0150-JF3	068-0150-JF4	152-549
VL200	068-0200-JF1	068-0200-JF2	068-0200-JF3	068-0200-JF4	152-549
VL250	068-0250-JF1	068-0250-JF2	068-0250-JF3	068-0250-JF4	152-549
VL315	068-0315-JF1	068-0315-JF2	068-0315-JF3	068-0315-JF4	152-549

Tel **+44 (0) 1384 275800**
Email **info@eltauk.com**
eltauk.com

VL-08-2022 Issue C



BS EN ISO 9001:2015 FM 556465

