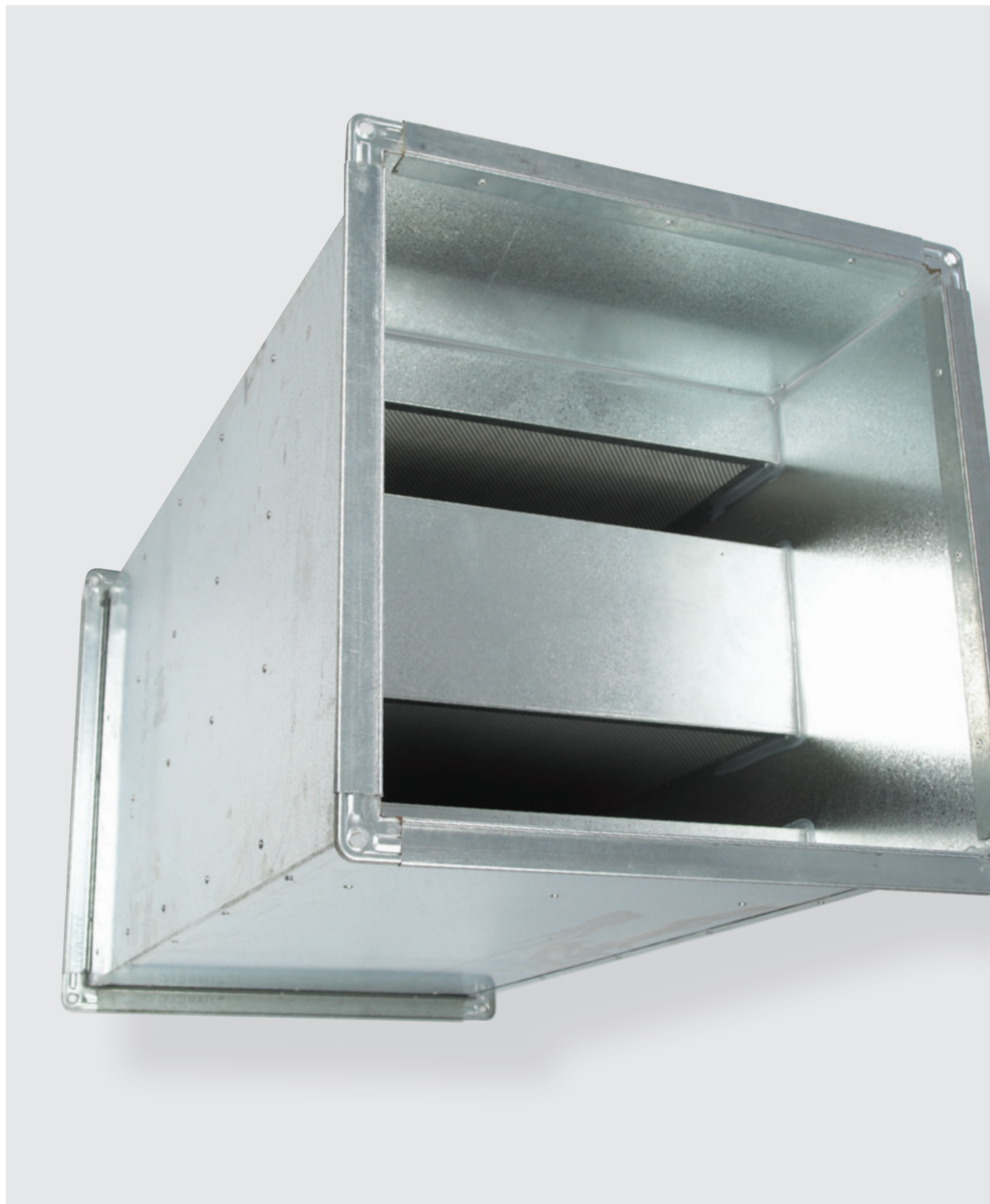


# SPLITTER SILENCER

---

**ELTA**

» **Select** models available for next day delivery



# SPLITTER SILENCER

## Overview

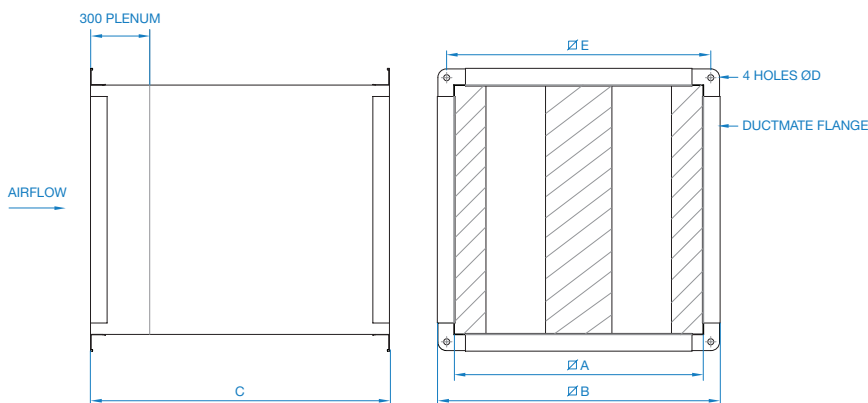


- Baffle type silencers
- Galvanised steel casing with perforated steel lining and baffles
- Infill is glass tissue faced high density mineral wool

Product Code	Insertion Loss @ Octave band							
	63	125	250	500	1K	2K	4K	8K
<a href="#">068-0350-MFB</a>	-4	-6	-14	-23	-30	-29	-20	-14
<a href="#">068-0400-MFB</a>	-4	-6	-14	-23	-30	-29	-20	-14
<a href="#">068-0450-MFB</a>	-4	-9	-13	-25	-31	-30	-22	-15
<a href="#">068-0500-MFB</a>	-4	-9	-14	-24	-30	-30	-23	-16
<a href="#">068-0550-MFB</a>	-4	-6	-11	-22	-28	-27	-18	-14
<a href="#">068-0650-MFB</a>	-4	-7	-13	-24	-26	-25	-17	-12
<a href="#">068-0700-MFB</a>	-4	-7	-13	-24	-26	-25	-17	-12
<a href="#">068-0800-MFB</a>	-5	-8	-16	-27	-30	-30	-21	-16
<a href="#">068-1000-MFB</a>	-5	-9	-12	-22	-26	-23	-16	-12

## Dimensional Data

Product Code	A	B	C	D	E	Ductmate Flange	Weight kg
<a href="#">068-0350-MFB</a>	350	400	1200	9	375	25	24
<a href="#">068-0400-MFB</a>	400	450	1200	9	425	25	31
<a href="#">068-0450-MFB</a>	450	500	1200	9	475	25	38
<a href="#">068-0500-MFB</a>	500	550	1200	9	525	25	42
<a href="#">068-0550-MFB</a>	550	620	1200	11	585	35	49
<a href="#">068-0650-MFB</a>	650	720	1500	11	685	35	74
<a href="#">068-0700-MFB</a>	700	770	1500	11	735	35	81
<a href="#">068-0800-MFB</a>	800	870	1800	11	835	35	117
<a href="#">068-1000-MFB</a>	1000	1070	1800	11	1035	35	164



Dimensions are in mm.



Tel **+44 (0) 1384 275800**  
Email **info@eltauk.com**  
**eltauk.com**

068-MFB-03-2018 Issue A

