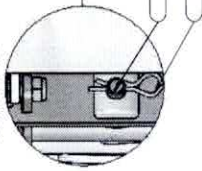
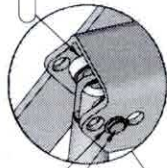


ITEM NO.	PART NUMBER	DESCRIPTION	Description2	QTY.
1	9153	Cable clip	16x16 - Nature	1
2	88409	Spring clip	ø2x43 +/-2	1
3	88428	Clevis Pin f. actuator	ISO 2341B ø10x32	1
4	88603	Circlip	A10 DIN 471	2
5	88620	Circlip	A16 DIN 471	2
6	88628	Spacer	ø10.3xø15x7.5	2
7	108882	Bushing PVC	ø19xø25x24	1
8	110880	Shaft for actuator	ø10x57.4	1

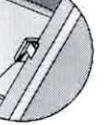
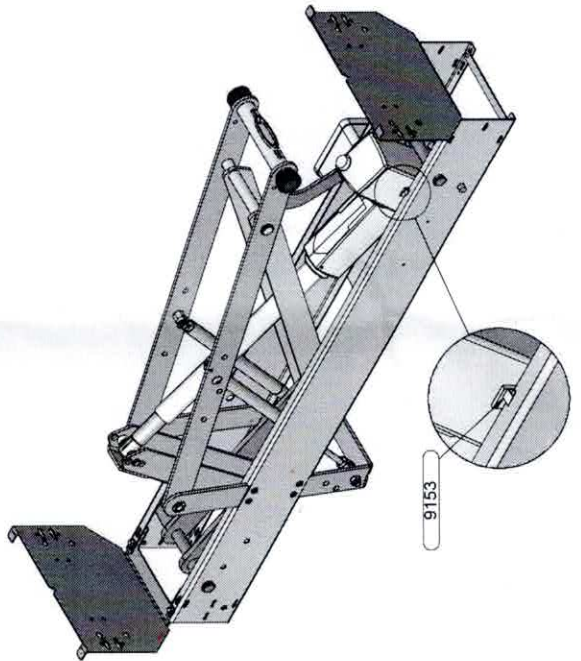
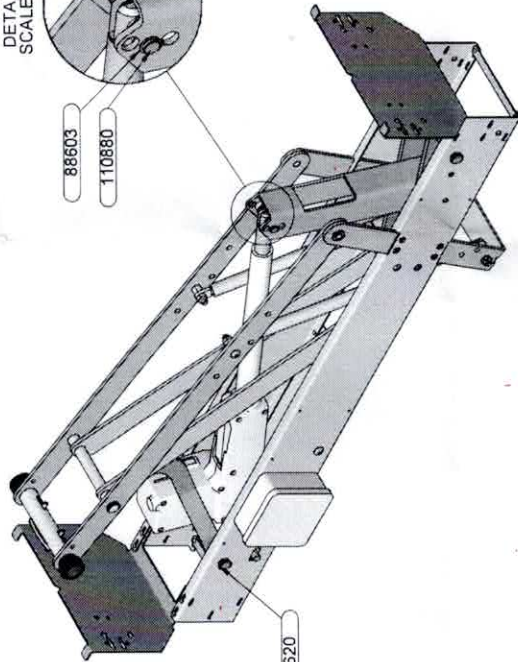
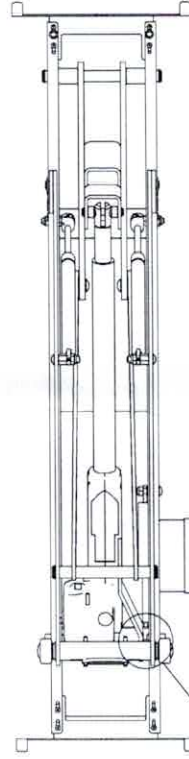
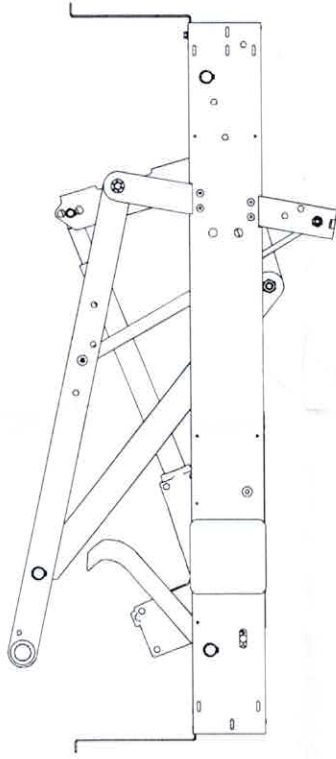
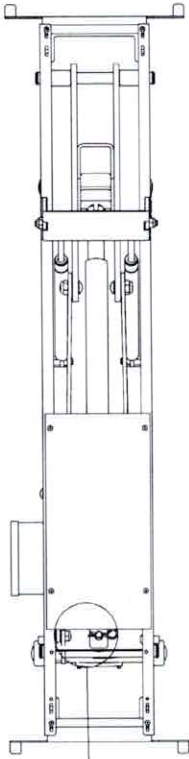
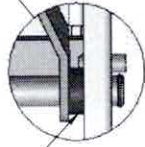
DETAIL C
SCALE 1:2



DETAIL B
SCALE 1:2



DETAIL D
SCALE 1:2



DETAIL A
SCALE 1:2

Actulux

Actulux A/S
 Phone nr: +45 98 37 40 00
 Fax nr: +45 98 13 38 00
 Email: info@actulux.com
 www.actulux.com
 Håndværkervej 2
 8260 Århus Nord
 Denmark

DRAWN BY: GS DATE: 18-10-20 SIZE: A2 SHEET: 1 OF 1 SCALE: 1:5 REV: 1
 TITLE: Mounting kit Actuator DWG NO.: 1E42200