

# REVOLUTION SLC

**ELTA**

Long Cased Axial Flow Fan

---

>> **Select** models available for next day delivery



# REVOLUTION SLC

## Product Overview

- 11 standard sizes from 315mm to 1000mm
- Air volume flow rates up to 19.63 m<sup>3</sup>/s
- Static pressures up to 994 Pa
- Suitable for operating temperatures up to +60°C
- Available in **AC** & IE5 **EC**



**A true industry workhorse, this extensive range offers superb performance characteristics, combined with strength, durability and corrosion resistance for a longer life.**

### Easy Installation

Motors are wired via a weatherproofed cable to an IP55 protected terminal box mounted on the outside of the unit casing for ease of electrical connection.

### Efficient Performance

High efficiency adjustable pitch aerofoil impellers are provided with blades made from high quality pressure die cast aluminium. Increased blade chord and twist provides 7% higher efficiency reducing overall energy consumption. Increased blade root reduces stress levels which make our range of impellers ideal for arduous fan applications.

### Corrosion resistance

Suitable for external mounting as standard.

### Controllability

For AC fans the Eltadrive range of inverters has been designed encompassing the latest technology. IE5 EC fans can be directly connected via DC voltage 2 to 10V, DC current 4 to 20mA, Frequency 10 to 95% or a potentiometer. Both AC with Inverter and EC provide significant cost-savings through lower energy consumption.

### Warranty

Each SLC has a 12 month warranty.

### Construction

Units have been constructed from a single sheet of steel, with both motor and axial impeller mounted within the length of the unit casing. All casing parts are heavy gauge mild steel sheet, roll formed and welded for added strength and durability, hot dip galvanised to BS EN ISO 1461:2009.

### Motor

Our high efficiency AC motors comply with the efficiency level IE2, (for use with frequency inverter). IE3 are available on request. High efficiency EC motors comply with the efficiency level IE5. Motors are foot mounted totally enclosed type to IP55 with sealed for life bearings for operating temperatures up to +54°C AC and +60°C EC.

### Impeller

Increased twist aerofoil impeller provides improved efficiency and acoustics suitable for higher stress applications. Blades are made from high quality pressure die cast aluminium (LM6), natural finish. Impellers are factory set at an angle to provide maximum performance.

### Typical Applications

- Kitchen Canopy Systems
- Agriculture
- Sports Halls
- Industrial Units and Warehousing
- Factories
- Schools
- Air Conditioning Units
- Cooling Towers & Stations
- Marine
- Airports
- Hotels

### Contents

Page	Information	Load
3	Performance Range Curves	<b>AC</b>
5	Performance Range Curves	<b>EC</b>
6	Performance, SFP & Electrical Data	<b>AC</b>
9	Performance, SFP & Electrical Data	<b>EC</b>
11	Sound Data	<b>AC</b>
14	Sound Data	<b>EC</b>
16	Dimensional Data	<b>AC</b>
18	Dimensional Data	<b>EC</b>
19	Accessories	<b>AC</b>
22	Accessories	<b>EC</b>
37	Notes	

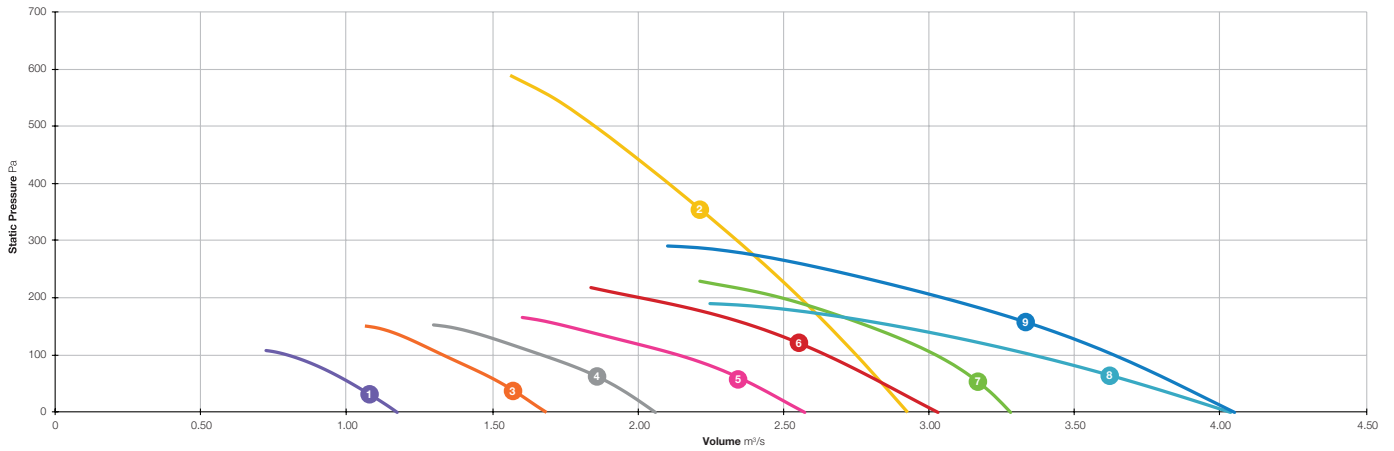
### Product Coding

Code	Reference
<b>SLC</b>	Product Range
<b>315</b>	Diameter (315/355/400...)
<b>/</b>	
<b>4</b>	Number of Poles (2/4/6)
<b>-</b>	
<b>3</b>	Voltage Supply (Single Phase / Three Phase)
<b>AC</b>	Motor Type (AC/EC)
<b>A - Z</b>	Additional Coding (A - Z) Product Variants
e.g.	<b>SLC315 / 4-3AC</b>

# REVOLUTION SLC



## Performance Range Curves



- 1 SLC400 / 4-1AC
- 2 SLC450 / 2-1AC
- 3 SLC450 / 4-1AC

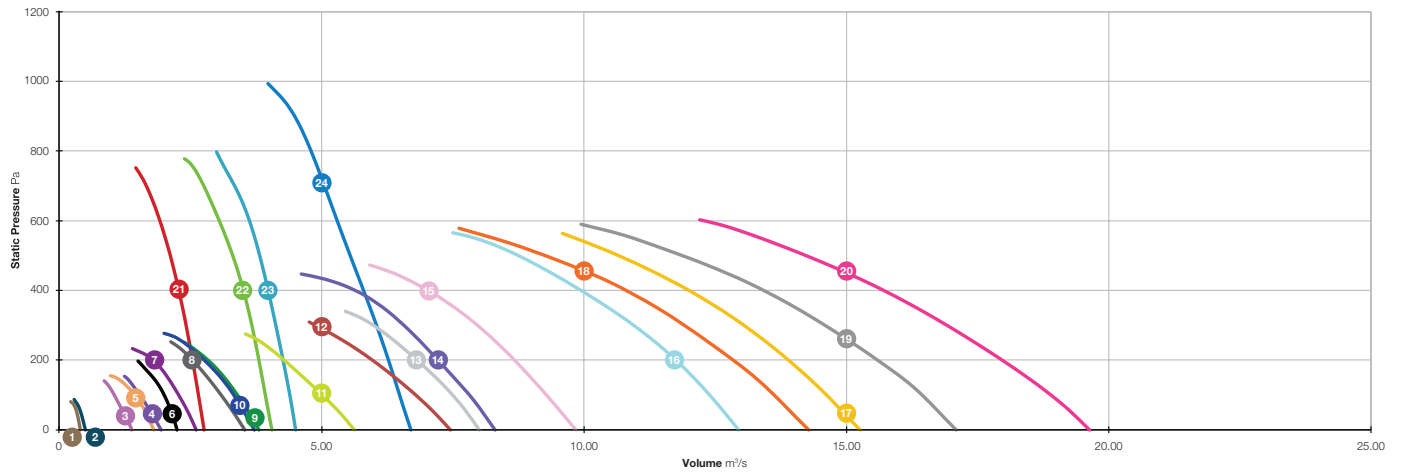
- 4 SLC500 / 4A-1AC
- 5 SLC500 / 4B-1AC
- 6 SLC560 / 4A-1AC

- 7 SLC560 / 4B-1AC
- 8 SLC630 / 4-1AC
- 9 SLC630 / 4B-1AC

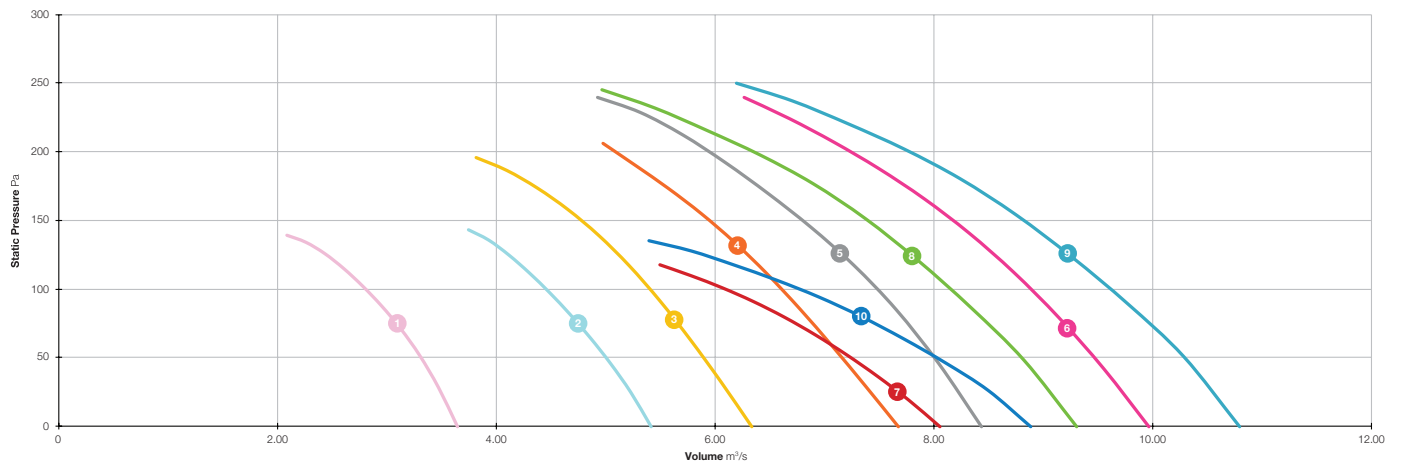
# REVOLUTION SLC



## Performance Range Curves



- |                   |                    |                     |
|-------------------|--------------------|---------------------|
| 1 SLC315 / 4-3AC  | 9 SLC560 / 4C-3AC  | 17 SLC900 / 4B-3AC  |
| 2 SLC355 / 4-3AC  | 10 SLC630 / 4A-3AC | 18 SLC1000 / 4A-3AC |
| 3 SLC400 / 4-3AC  | 11 SLC630 / 4B-3AC | 19 SLC1000 / 4B-3AC |
| 4 SLC450 / 4-3AC  | 12 SLC710 / 4A-3AC | 20 SLC1000 / 4C-3AC |
| 5 SLC500 / 4A-3AC | 13 SLC710 / 4B-3AC | 21 SLC450 / 2A-3AC  |
| 6 SLC500 / 4B-3AC | 14 SLC800 / 4A-3AC | 22 SLC500 / 2A-3AC  |
| 7 SLC560 / 4A-3AC | 15 SLC800 / 4B-3AC | 23 SLC500 / 2B-3AC  |
| 8 SLC560 / 4B-3AC | 16 SLC900 / 4A-3AC | 24 SLC560 / 2-3AC   |

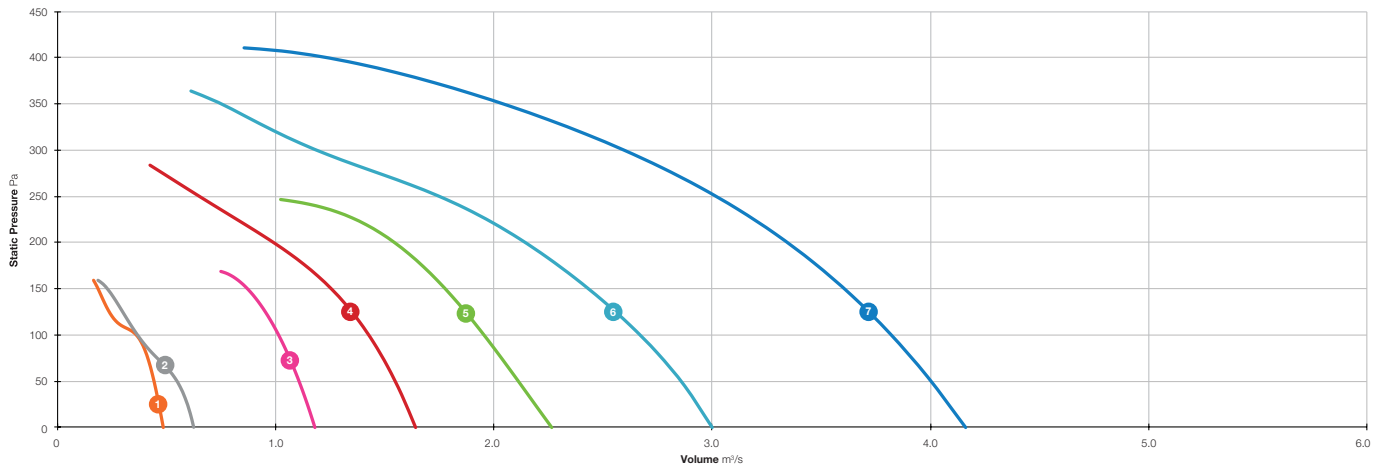


- |                   |                   |                    |
|-------------------|-------------------|--------------------|
| 1 SLC710 / 6A-3AC | 5 SLC900 / 6A-3AC | 8 SLC1000 / 6A-AC  |
| 2 SLC710 / 6B-3AC | 6 SLC900 / 6B-3AC | 9 SLC1000 / 6B-3AC |
| 3 SLC800 / 6A-3AC | 7 SLC900 / 8-3AC  | 10 SLC1000 / 8-3AC |
| 4 SLC800 / 6B-3AC |                   |                    |

# REVOLUTION SLC



## Performance Range Curves



- 1 SLC315 - 1EC
- 2 SLC355 - 1EC
- 3 SLC400 - 1EC
- 4 SLC450 - 1EC
- 5 SLC500 - 1EC
- 6 SLC560 - 1EC
- 7 SLC630 - 1EC

# REVOLUTION SLC



## Performance, SFP & Electrical Data

Single Phase 220V to 240V / 50Hz

Product Code	Speed r/min	Airflow SFP	Airflow m <sup>3</sup> /s @ Static Pressure Pa												At Best Efficiency Point			Electrical Data		dBA @ 3m	
			0	25	50	75	100	150	200	250	300	350	400	500	Overall Eff %	FMEG N	Input kW	Peak Amps			
SLC400/4-1AC	1435	m <sup>3</sup> /s	1.176	1.100	1.016	0.921	0.788	-	-	-	-	-	-	-	37.5	48	0.209	0.94	Inlet	51	
		W/(L/s)	0.15	0.17	0.20	0.23	0.27	-	-	-	-	-	-	-					Outlet	52	
SLC450/2-1AC	2815	m <sup>3</sup> /s	2.927	2.884	2.841	2.796	2.751	2.657	2.558	2.453	2.342	2.225	2.105	1.852	45.9	50	2.050	8.80	Inlet	71	
		W/(L/s)	0.49	0.51	0.54	0.57	0.59	0.65	0.70	0.76	0.82	0.88	0.94	1.10					Outlet	70	
SLC450/4-1AC	1465	m <sup>3</sup> /s	1.683	1.609	1.530	1.432	1.325	-	-	-	-	-	-	-	40.6	49	0.397	1.73	Inlet	57	
		W/(L/s)	0.20	0.22	0.24	0.27	0.30	-	-	-	-	-	-	-					Outlet	57	
SLC500/4A-1AC	1460	m <sup>3</sup> /s	2.063	1.992	1.912	1.809	1.675	1.346	-	-	-	-	-	-	42.2	50	0.483	2.09	Inlet	53	
		W/(L/s)	0.19	0.20	0.23	0.25	0.28	0.36	-	-	-	-	-	-					Outlet	53	
SLC500/4B-1AC	1440	m <sup>3</sup> /s	2.574	2.483	2.391	2.283	2.141	1.760	-	-	-	-	-	-	38.2	45	0.702	3.24	Inlet	56	
		W/(L/s)	0.25	0.27	0.28	0.30	0.33	0.40	-	-	-	-	-	-					Outlet	56	
SLC560/4A-1AC	1415	m <sup>3</sup> /s	3.034	2.939	2.846	2.750	2.647	2.399	2.001	-	-	-	-	-	41.6	48	0.940	4.15	Inlet	60	
		W/(L/s)	0.23	0.26	0.28	0.31	0.33	0.40	0.49	-	-	-	-	-					Outlet	59	
SLC560/4B-1AC	1460	m <sup>3</sup> /s	3.279	3.232	3.175	3.107	3.022	2.790	2.486	-	-	-	-	-	40.3	46	1.225	5.50	Inlet	60	
		W/(L/s)	0.31	0.32	0.34	0.36	0.38	0.43	0.50	-	-	-	-	-					Outlet	60	
SLC630/4-1AC	1375	m <sup>3</sup> /s	4.033	3.880	3.719	3.546	3.355	2.892	-	-	-	-	-	-	39.7	45	1.120	4.99	Inlet	60	
		W/(L/s)	0.25	0.27	0.28	0.31	0.33	0.39	-	-	-	-	-	-					Outlet	60	
SLC630/4B-1AC	1455	m <sup>3</sup> /s	4.050	3.950	3.851	3.747	3.636	3.378	3.048	2.646	-	-	-	-	45.5	50	1.399	6.02	Inlet	61	
		W/(L/s)	0.24	0.27	0.30	0.32	0.35	0.40	0.47	0.55	-	-	-	-					Outlet	61	

Data provided is at standard air density of 1.2 kg/m<sup>3</sup>.

ErP data in accordance with Regulation (EU) 327/2011. Measurement category used to determine energy efficiency: C.

Peak Amps @ 230V / 1PH / 50Hz.

The overall A-weighted sound pressure level is at a distance of 3m with spherical free-field propagation. It is expressed in dB re-20μPa and is presented for comparative purposes only.

# REVOLUTION SLC



## Performance, SFP & Electrical Data

### Three Phase 380V to 415V / 50Hz

Product Code	Speed r/min	Airflow SFP	Airflow m³/s @ Static Pressure Pa												At Best Efficiency Point			Electrical Data			dBA @ 3m		
			0	25	50	75	100	150	200	250	300	350	400	500	Overall Eff %	FMEG N	Input kW	Peak Amps	SC	Δ / Y			
SLC315/4-3AC	1485	m³/s	0.400	0.370	0.332	0.258	-	-	-	-	-	-	-	-	-	16.3	<125W	0.121	0.70	-	Y	Inlet	40
		W/(L/s)	0.27	0.31	0.36	0.47	-	-	-	-	-	-	-	-	-	-	-	-	-	-	-	Y	Outlet
SLC355/4-3AC	1485	m³/s	0.502	0.460	0.415	0.344	-	-	-	-	-	-	-	-	-	21.0	<125W	0.123	0.67	-	Y	Inlet	44
		W/(L/s)	0.21	0.24	0.29	0.36	-	-	-	-	-	-	-	-	-	-	-	-	-	-	-	Y	Outlet
SLC400/4-3AC	1425	m³/s	1.380	1.310	1.220	1.130	1.050	-	-	-	-	-	-	-	-	32.9	41	0.367	1.02	-	Y	Inlet	53
		W/(L/s)	0.24	0.26	0.29	0.32	0.35	-	-	-	-	-	-	-	-	-	-	-	-	-	-	Y	Outlet
SLC450/2A-3AC	2895	m³/s	2.758	2.732	2.705	2.678	2.651	2.596	2.538	2.479	2.416	2.349	2.278	2.116	-	47.0	50	2.490	4.56	-	Y	Inlet	73
		W/(L/s)	0.59	0.61	0.63	0.65	0.68	0.72	0.77	0.82	0.87	0.93	0.99	1.12	-	-	-	-	-	-	-	Y	Outlet
SLC450/4-3AC	1455	m³/s	1.942	1.847	1.751	1.647	1.533	1.278	-	-	-	-	-	-	-	39.3	47	0.491	0.97	-	Y	Inlet	56
		W/(L/s)	0.22	0.25	0.27	0.30	0.32	0.38	-	-	-	-	-	-	-	-	-	-	-	-	-	Y	Outlet
SLC500/2A-3AC	2920	m³/s	4.050	4.018	3.986	3.955	3.925	3.864	3.802	3.737	3.668	3.592	3.508	3.304	-	45.4	47	3.937	7.06	-	Δ	Inlet	70
		W/(L/s)	0.71	0.74	0.76	0.79	0.81	0.85	0.89	0.93	0.98	1.03	1.08	1.21	-	-	-	-	-	-	-	Δ	Outlet
SLC500/2B-3AC	2920	m³/s	4.508	4.482	4.455	4.426	4.397	4.334	4.268	4.200	4.130	4.058	3.983	3.822	-	45.0	46	5.192	8.89	-	Δ	Inlet	71
		W/(L/s)	0.91	0.92	0.94	0.96	0.98	1.02	1.06	1.10	1.14	1.18	1.23	1.32	-	-	-	-	-	-	-	Δ	Outlet
SLC500/4A-3AC	1435	m³/s	1.804	1.728	1.650	1.558	1.442	1.079	-	-	-	-	-	-	-	41.8	50	0.390	0.96	-	Y	Inlet	53
		W/(L/s)	0.17	0.19	0.21	0.24	0.27	0.36	-	-	-	-	-	-	-	-	-	-	-	-	-	Y	Outlet
SLC500/4B-3AC	1450	m³/s	2.243	2.196	2.141	2.075	1.999	1.788	-	-	-	-	-	-	-	42.3	49	0.689	1.47	-	Y	Inlet	55
		W/(L/s)	0.24	0.26	0.28	0.30	0.33	0.39	-	-	-	-	-	-	-	-	-	-	-	-	-	Y	Outlet
SLC560/2-3AC	2950	m³/s	6.701	6.645	6.591	6.538	6.486	6.382	6.274	6.163	6.046	5.925	5.799	5.545	-	48.2	48	8.420	13.90	-	Δ	Inlet	77
		W/(L/s)	0.96	0.98	1.00	1.02	1.05	1.09	1.13	1.18	1.23	1.28	1.33	1.44	-	-	-	-	-	-	-	Δ	Outlet
SLC560/4A-3AC	1450	m³/s	2.612	2.540	2.459	2.370	2.275	2.066	1.788	-	-	-	-	-	-	47.5	54	0.760	1.61	-	Y	Inlet	59
		W/(L/s)	0.20	0.22	0.25	0.27	0.30	0.35	0.42	-	-	-	-	-	-	-	-	-	-	-	-	Y	Outlet
SLC560/4B-3AC	1470	m³/s	3.536	3.431	3.322	3.208	3.089	2.833	2.547	2.167	-	-	-	-	-	44.1	49	1.240	2.36	-	Y	Inlet	60
		W/(L/s)	0.27	0.29	0.32	0.34	0.37	0.43	0.49	0.57	-	-	-	-	-	-	-	-	-	-	-	Y	Outlet
SLC560/4C-3AC	1460	m³/s	3.799	3.710	3.610	3.503	3.389	3.141	2.827	2.383	-	-	-	-	-	40.2	45	1.497	3.09	-	Y	Inlet	60
		W/(L/s)	0.33	0.35	0.38	0.40	0.42	0.47	0.53	0.62	-	-	-	-	-	-	-	-	-	-	-	Y	Outlet
SLC630/4A-3AC	1475	m³/s	3.723	3.625	3.523	3.434	3.330	3.081	2.764	2.378	-	-	-	-	-	48.8	54	1.130	2.36	-	Y	Inlet	64
		W/(L/s)	0.22	0.24	0.26	0.28	0.30	0.36	0.43	0.51	-	-	-	-	-	-	-	-	-	-	-	Y	Outlet
SLC630/4B-3AC	1460	m³/s	5.623	5.489	5.342	5.182	5.013	4.656	4.285	3.864	-	-	-	-	-	41.2	45	2.240	4.56	-	Y	Inlet	66
		W/(L/s)	0.37	0.38	0.40	0.42	0.45	0.50	0.56	0.62	-	-	-	-	-	-	-	-	-	-	-	Y	Outlet
SLC710/4A-3AC	1440	m³/s	7.459	7.309	7.149	6.977	6.794	6.400	5.965	5.470	4.873	-	-	-	-	43.9	46	3.370	6.17	-	Y	Inlet	71
		W/(L/s)	0.37	0.39	0.41	0.44	0.46	0.51	0.56	0.62	0.69	-	-	-	-	-	-	-	-	-	-	Y	Outlet
SLC710/4B-3AC	1460	m³/s	8.000	7.890	7.770	7.630	7.490	7.170	6.810	6.430	5.980	-	-	-	-	42.6	44	4.460	8.12	-	Δ	Inlet	73
		W/(L/s)	0.52	0.53	0.54	0.56	0.58	0.61	0.65	0.69	0.74	-	-	-	-	-	-	-	-	-	-	Δ	Outlet
SLC710/6A-3AC	910	m³/s	3.640	3.490	3.310	3.080	2.800	-	-	-	-	-	-	-	-	44.0	51	0.700	1.49	-	Y	Inlet	60
		W/(L/s)	0.14	0.16	0.18	0.21	0.24	-	-	-	-	-	-	-	-	-	-	-	-	-	-	Y	Outlet
SLC710/6B-3AC	940	m³/s	5.420	5.230	5.000	4.750	4.450	-	-	-	-	-	-	-	-	37.4	42	1.470	3.71	-	Y	Inlet	63
		W/(L/s)	0.26	0.27	0.29	0.31	0.33	-	-	-	-	-	-	-	-	-	-	-	-	-	-	Y	Outlet
SLC800/4A-3AC	1465	m³/s	8.300	8.190	8.080	7.950	7.810	7.510	7.210	6.900	6.560	6.170	5.630	-	-	51.1	53	4.170	8.12	54.00	Δ	Inlet	70
		W/(L/s)	0.37	0.38	0.40	0.42	0.44	0.48	0.53	0.58	0.63	0.70	0.78	-	-	-	-	-	-	-	-	Δ	Outlet
SLC800/4B-3AC	1460	m³/s	9.840	9.700	9.560	9.420	9.280	8.980	8.670	8.340	7.970	7.540	7.030	-	-	48.1	49	6.000	10.50	77.00	Δ	Inlet	75
		W/(L/s)	0.47	0.49	0.50	0.52	0.54	0.58	0.62	0.67	0.72	0.78	0.85	-	-	-	-	-	-	-	-	Δ	Outlet

Data provided is at standard air density of 1.2 kg/m³.

ERP data in accordance with Regulation (EU) 327/2011. Measurement category used to determine energy efficiency: C.

Peak Amps @ 400V / 3PH / 50Hz.

The overall A-weighted sound pressure level is at a distance of 3m with spherical free-field propagation. It is expressed in dB re-20µPa and is presented for comparative purposes only.

# REVOLUTION SLC



## Performance, SFP & Electrical Data

Three Phase 380V to 415V / 50Hz

Product Code	Speed r/min	Airflow SFP	Airflow m³/s @ Static Pressure Pa												At Best Efficiency Point			Electrical Data			dBA @ 3m	
			0	25	50	75	100	150	200	250	300	350	400	500	Overall Eff %	FMEG N	Input kW	Peak Amps	SC Amps	Δ / Y		
SLC800/6A-3AC	940	m³/s	6.330	6.120	5.890	5.660	5.410	4.780	-	-	-	-	-	-	43.6	48	1.760	3.71	19.00	Y	Inlet	59
		W/(L/s)	0.21	0.23	0.25	0.28	0.30	0.36	-	-	-	-	-	-	-	-	-	-	-	-	-	Outlet
SLC800/6B-3AC	955	m³/s	7.670	7.420	7.160	6.890	6.610	5.950	-	-	-	-	-	-	40.7	44	2.570	5.94	42.00	Δ	Inlet	61
		W/(L/s)	0.29	0.31	0.33	0.35	0.38	0.43	-	-	-	-	-	-	-	-	-	-	-	-	-	Outlet
SLC900/4A-3AC	1465	m³/s	12.940	12.810	12.670	12.530	12.390	12.080	11.750	11.370	10.940	10.460	9.940	8.740	55.1	55	7.740	14.10	-	Δ	Inlet	74
		W/(L/s)	0.50	0.51	0.52	0.54	0.55	0.58	0.61	0.65	0.70	0.75	0.80	0.92	-	-	-	-	-	-	-	Outlet
SLC900/4B-3AC	1470	m³/s	15.250	15.100	14.940	14.780	14.620	14.260	13.890	13.480	13.040	12.540	11.990	10.640	49.6	49	11.080	21.20	-	Δ	Inlet	75
		W/(L/s)	0.66	0.67	0.68	0.70	0.71	0.74	0.77	0.80	0.84	0.88	0.93	1.05	-	-	-	-	-	-	-	Outlet
SLC900/6A-3AC	955	m³/s	8.430	8.220	8.000	7.760	7.480	6.790	5.940	-	-	-	-	-	50.3	54	2.450	5.94	-	Δ	Inlet	65
		W/(L/s)	0.23	0.25	0.26	0.28	0.30	0.35	0.41	-	-	-	-	-	-	-	-	-	-	-	-	Outlet
SLC900/6B-3AC	960	m³/s	9.960	9.730	9.470	9.190	8.890	8.180	7.250	-	-	-	-	-	45.0	47	3.450	7.30	-	Δ	Inlet	66
		W/(L/s)	0.31	0.32	0.34	0.35	0.37	0.42	0.48	-	-	-	-	-	-	-	-	-	-	-	-	Outlet
SLC900/8-3AC	700	m³/s	8.050	7.680	7.240	6.740	6.100	-	-	-	-	-	-	-	36.7	41	1.790	4.09	-	Y	Inlet	59
		W/(L/s)	0.21	0.22	0.24	0.26	0.29	-	-	-	-	-	-	-	-	-	-	-	-	-	-	Outlet
SLC1000/4A-3AC	1455	m³/s	14.300	14.160	14.000	13.840	13.660	13.270	12.850	12.400	11.920	11.400	10.810	9.240	56.2	56	8.320	14.10	102.00	Δ	Inlet	81
		W/(L/s)	0.38	0.40	0.41	0.43	0.45	0.50	0.55	0.59	0.64	0.69	0.75	0.89	-	-	-	-	-	-	-	Outlet
SLC1000/4B-3AC	1470	m³/s	17.090	16.950	16.800	16.630	16.450	16.040	15.590	15.100	14.580	14.030	13.420	11.860	53.0	52	11.060	21.20	-	Δ	Inlet	82
		W/(L/s)	0.51	0.52	0.54	0.55	0.57	0.61	0.65	0.69	0.74	0.79	0.84	0.97	-	-	-	-	-	-	-	Outlet
SLC1000/4C-3AC	1465	m³/s	19.630	19.470	19.290	19.100	18.890	18.450	17.960	17.450	16.910	16.330	15.700	14.210	49.3	49	14.980	28.70	-	Δ	Inlet	81
		W/(L/s)	0.66	0.68	0.69	0.70	0.72	0.75	0.79	0.83	0.87	0.92	0.97	1.08	-	-	-	-	-	-	-	Outlet
SLC1000/6A-3AC	955	m³/s	9.300	9.080	8.810	8.490	8.160	7.400	6.360	-	-	-	-	-	51.3	55	2.510	5.94	42.00	Δ	Inlet	77
		W/(L/s)	0.18	0.20	0.22	0.24	0.27	0.32	0.39	-	-	-	-	-	-	-	-	-	-	-	-	Outlet
SLC1000/6B-3AC	960	m³/s	10.790	10.570	10.290	9.970	9.620	8.820	7.780	-	-	-	-	-	48.6	51	3.330	7.30	-	Δ	Inlet	72
		W/(L/s)	0.22	0.24	0.26	0.28	0.31	0.36	0.43	-	-	-	-	-	-	-	-	-	-	-	-	Outlet
SLC1000/8-3AC	700	m³/s	8.880	8.520	8.030	7.460	6.770	-	-	-	-	-	-	-	57.8	62	1.730	4.09	-	Y	Inlet	64
		W/(L/s)	0.16	0.18	0.20	0.22	0.25	-	-	-	-	-	-	-	-	-	-	-	-	-	-	Outlet

Data provided is at standard air density of 1.2 kg/m³.

ErP data in accordance with Regulation (EU) 327/2011. Measurement category used to determine energy efficiency: C.

Peak Amps @ 400V / 3PH / 50Hz.

The overall A-weighted sound pressure level is at a distance of 3m with spherical free-field propagation. It is expressed in dB re-20µPa and is presented for comparative purposes only.



# REVOLUTION SLC



## Performance, SFP & Electrical Data

Single Phase 220V to 277V / 50Hz or 60Hz

Product Code	Control Voltage V	Speed r/min	Airflow SFP	Airflow m³/s @ Static Pressure Pa								At Best Efficiency Point			Electrical Data		dBA @ 3m	
				0	25	50	75	100	150	200	250	Overall Eff %	FMEG N	Input kW	Peak Amps			
SLC315-1EC	10	1775	m³/s	0.487	0.467	0.444	0.416	0.363	0.188	-	-	45.2	<125W	0.106	0.92	Inlet	46	
			W/(L/s)	0.17	0.19	0.21	0.24	0.29	0.56	-	-					Outlet	47	
	8	1410	m³/s	0.389	0.357	0.323	0.206	0.136	-	-	-	39.0		0.063	0.57	Inlet	41	
			W/(L/s)	0.13	0.16	0.19	0.29	0.46	-	-	-					Outlet	41	
	5	805	m³/s	0.214	0.118	-	-	-	-	-	-	20.1		0.022	0.23	Inlet	28	
			W/(L/s)	0.10	0.19	-	-	-	-	-	-					-	Outlet	29
	2	200	m³/s	0.055	-	-	-	-	-	-	-	0.8		0.007	0.10	Inlet	32	
			W/(L/s)	0.10	-	-	-	-	-	-	-					-	Outlet	31
SLC355-1EC	10	1790	m³/s	0.626	0.596	0.549	0.458	0.367	0.230	-	-	41.3	<125W	0.112	1.09	Inlet	53	
			W/(L/s)	0.14	0.16	0.20	0.25	0.32	0.58	-	-					Outlet	53	
	8	1395	m³/s	0.487	0.450	0.336	0.242	0.175	-	-	-	36.9		0.063	0.65	Inlet	45	
			W/(L/s)	0.11	0.13	0.20	0.29	0.43	-	-	-					Outlet	46	
	5	810	m³/s	0.275	0.137	-	-	-	-	-	-	18.5		0.024	0.27	Inlet	34	
			W/(L/s)	0.08	0.19	-	-	-	-	-	-					Outlet	36	
	2	225	m³/s	0.068	-	-	-	-	-	-	-	1.3		0.008	0.11	Inlet	36	
			W/(L/s)	0.11	-	-	-	-	-	-	-					Outlet	39	
SLC400-1EC	10	1815	m³/s	1.178	1.144	1.106	1.063	1.013	0.870	-	-	61.1	70	0.285	2.54	Inlet	55	
			W/(L/s)	0.18	0.20	0.22	0.24	0.27	0.33	-	-					Outlet	57	
	8	1395	m³/s	0.904	0.855	0.792	0.698	0.492	-	-	-	54.1		0.136	1.32	Inlet	49	
			W/(L/s)	0.12	0.14	0.16	0.20	0.27	-	-	-					Outlet	50	
	5	795	m³/s	0.505	0.393	-	-	-	-	-	-	39.8		0.036	0.39	Inlet	42	
			W/(L/s)	0.06	0.09	-	-	-	-	-	-					Outlet	43	
	2	205	m³/s	0.112	-	-	-	-	-	-	-	2.6		0.007	0.11	Inlet	45	
			W/(L/s)	0.05	-	-	-	-	-	-	-					Outlet	47	
SLC450-1EC	10	1805	m³/s	1.642	1.598	1.548	1.492	1.427	1.255	0.990	0.650	61.7	70	0.424	3.65	Inlet	59	
			W/(L/s)	0.18	0.20	0.23	0.26	0.28	0.34	0.44	0.63					Outlet	59	
	8	1410	m³/s	1.267	1.211	1.143	1.058	0.939	0.487	-	-	59.7		0.215	1.99	Inlet	53	
			W/(L/s)	0.12	0.15	0.17	0.20	0.23	0.43	-	-					Outlet	53	
	5	810	m³/s	0.696	0.601	0.295	-	-	-	-	-	46.0		0.053	0.56	Inlet	46	
			W/(L/s)	0.06	0.09	0.18	-	-	-	-	-					Outlet	46	
	2	215	m³/s	0.179	-	-	-	-	-	-	-	5.0		0.009	0.13	Inlet	42	
			W/(L/s)	0.04	-	-	-	-	-	-	-					Outlet	45	
SLC500-1EC	10	1790	m³/s	2.263	2.186	2.110	2.033	1.953	1.776	1.545	-	67.5	75	0.591	4.63	Inlet	59	
			W/(L/s)	0.16	0.20	0.22	0.25	0.27	0.33	0.40	-					Outlet	59	
	8	1410	m³/s	1.771	1.677	1.578	1.471	1.350	-	-	-	64.4		0.304	2.58	Inlet	58	
			W/(L/s)	0.11	0.14	0.17	0.19	0.22	-	-	-					Outlet	58	
	5	805	m³/s	0.949	0.844	0.570	-	-	-	-	-	56.0		0.074	0.75	Inlet	43	
			W/(L/s)	0.06	0.08	0.13	-	-	-	-	-					Outlet	44	
	2	240	m³/s	0.269	-	-	-	-	-	-	-	8.4		0.009	0.14	Inlet	38	
			W/(L/s)	0.08	-	-	-	-	-	-	-					Outlet	38	

Data provided is at standard air density of 1.2 kg/m³.

ErP data in accordance with Regulation (EU) 327/2011. Measurement category used to determine energy efficiency: D.

A variable speed drive is integrated within the fan.

Peak Amps @ 230V / 1PH / 50Hz.

The overall A-weighted sound pressure level is at a distance of 3m with spherical free-field propagation. It is expressed in dB re-20µPa and is presented for comparative purposes only.

# REVOLUTION SLC



## Performance, SFP & Electrical Data

Single Phase 220V to 277V / 50Hz or 60Hz

Product Code	Control Voltage V	Speed r/min	Airflow SFP	Airflow m <sup>3</sup> /s @ Static Pressure Pa											At Best Efficiency Point			Electrical Data		dBA @ 3m	
				0	25	50	75	100	150	200	250	300	350	400	Overall Eff %	FMEGN	Input kW	Peak Amps			
SLC560-1EC	10	1790	m <sup>3</sup> /s	3.001	2.935	2.859	2.771	2.671	2.434	2.145	1.750	1.187	0.750	-	68.3	75	0.819	6.45	Inlet	63	
			W/(L/s)	0.23	0.23	0.25	0.26	0.28	0.33	0.40	0.49	0.69	1.07	-					Outlet	63	
	8	1410	m <sup>3</sup> /s	2.331	2.240	2.137	2.016	1.870	1.434	0.742	-	-	-	-	67.7		0.416	3.50	Inlet	58	
			W/(L/s)	0.14	0.16	0.17	0.20	0.22	0.30	0.55	-	-	-	-					Outlet	57	
	5	805	m <sup>3</sup> /s	1.300	1.145	0.827	-	-	-	-	-	-	-	-	58.5		0.097	0.99	Inlet	47	
			W/(L/s)	0.06	0.08	0.12	-	-	-	-	-	-	-	-					Outlet	47	
	2	230	m <sup>3</sup> /s	0.331	-	-	-	-	-	-	-	-	-	-	11.1		0.011	0.14	Inlet	39	
			W/(L/s)	0.03	-	-	-	-	-	-	-	-	-	-					Outlet	41	
SLC630-1EC	10	1800	m <sup>3</sup> /s	4.159	4.083	4.001	3.913	3.819	3.605	3.344	3.018	2.598	2.046	1.246	78.3	84	1.236	9.49	Inlet	66	
			W/(L/s)	0.24	0.25	0.26	0.27	0.29	0.32	0.37	0.43	0.50	0.61	0.95					Outlet	67	
	8	1415	m <sup>3</sup> /s	3.313	3.194	3.066	2.927	2.774	2.407	1.877	-	-	-	-	78.3		0.619	4.86	Inlet	63	
			W/(L/s)	0.14	0.16	0.17	0.19	0.21	0.26	0.34	-	-	-	-					Outlet	63	
	5	810	m <sup>3</sup> /s	1.819	1.646	1.364	0.709	-	-	-	-	-	-	-	72.3		0.132	1.17	Inlet	49	
			W/(L/s)	0.05	0.07	0.10	0.17	-	-	-	-	-	-	-					Outlet	50	
	2	250	m <sup>3</sup> /s	0.540	-	-	-	-	-	-	-	-	-	-	24.9		0.011	0.14	Inlet	39	
			W/(L/s)	0.01	-	-	-	-	-	-	-	-	-	-					Outlet	42	

Data provided is at standard air density of 1.2 kg/m<sup>3</sup>.

ErP data in accordance with Regulation (EU) 327/2011. Measurement category used to determine energy efficiency: D.

A variable speed drive is integrated within the fan.

Peak Amps @ 230V / 1PH / 50Hz.

The overall A-weighted sound pressure level is at a distance of 3m with spherical free-field propagation. It is expressed in dB re-20μPa and is presented for comparative purposes only.

# REVOLUTION SLC



## Sound Data

Single Phase 220V to 240V / 50Hz

Product Code	Speed r/min		Sound Power Level dB @ Octave Band Hz								Total dB
			63Hz	125Hz	250Hz	500Hz	1kHz	2kHz	4kHz	8kHz	
SLC400/4-1AC	1435	Inlet	75	77	70	69	65	65	60	55	80
		Outlet	76	75	71	70	65	66	61	56	80
SLC450/2-1AC	2815	Inlet	90	87	90	90	86	84	81	78	96
		Outlet	91	86	89	85	85	84	81	79	95
SLC450/4-1AC	1465	Inlet	79	81	75	73	72	70	67	63	85
		Outlet	80	81	74	73	72	70	67	64	85
SLC500/4A-1AC	1460	Inlet	71	76	71	68	68	68	65	59	79
		Outlet	72	76	70	67	67	68	65	61	79
SLC500/4B-1AC	1440	Inlet	74	79	70	71	71	70	68	63	82
		Outlet	74	79	71	71	70	71	69	66	82
SLC560/4A-1AC	1415	Inlet	74	73	78	75	74	75	73	66	83
		Outlet	76	73	78	74	74	74	72	65	83
SLC560/4B-1AC	1460	Inlet	77	74	80	75	75	74	72	66	85
		Outlet	79	73	78	75	75	74	72	67	84
SLC630/4-1AC	1375	Inlet	75	81	73	76	74	75	73	69	85
		Outlet	79	80	73	75	74	75	73	71	85
SLC630/4B-1AC	1455	Inlet	78	73	77	77	75	76	74	70	85
		Outlet	82	74	78	76	75	76	74	72	86

Data provided at standard air density of 1.2 kg/m<sup>3</sup>.  
 Tests and preparation of the sound data have been carried out in accordance with BS 848 Part 2:1985 at 50% peak pressure.  
 The Sound Power Level Spectra are in dB re-1pW.

# REVOLUTION SLC



## Sound Data

Three Phase 380V to 415V / 50Hz

Product Code	Speed r/min		Sound Power Level dBW @ Octave Band Hz								Total dB
			63Hz	125Hz	250Hz	500Hz	1kHz	2kHz	4kHz	8kHz	
SLC315/4-3AC	1485	Inlet	58	68	59	56	55	53	48	43	69
		Outlet	61	67	61	57	55	52	48	42	69
SLC355/4-3AC	1485	Inlet	59	66	59	58	60	59	54	48	69
		Outlet	61	66	61	58	58	57	53	46	69
SLC400/4-3AC	1425	Inlet	75	73	73	70	67	66	62	56	80
		Outlet	76	71	73	68	65	66	62	58	79
SLC450/2A-3AC	2895	Inlet	91	87	85	91	88	87	84	81	97
		Outlet	91	86	83	89	86	87	84	81	96
SLC450/4-3AC	1455	Inlet	79	81	73	75	71	68	65	63	84
		Outlet	80	81	73	71	70	68	65	64	84
SLC500/2A-3AC	2920	Inlet	83	83	78	90	84	83	81	78	93
		Outlet	86	84	79	85	84	83	81	78	92
SLC500/2B-3AC	2920	Inlet	87	85	80	89	86	84	83	78	94
		Outlet	89	87	81	86	87	85	84	79	95
SLC500/4A-3AC	1435	Inlet	68	69	66	67	68	68	66	60	76
		Outlet	70	69	66	66	67	69	66	61	76
SLC500/4B-3AC	1450	Inlet	73	68	71	71	70	69	67	61	79
		Outlet	73	68	71	70	71	69	67	63	79
SLC560/2-3AC	2950	Inlet	92	89	85	96	91	91	89	85	100
		Outlet	95	91	84	93	91	92	90	86	100
SLC560/4A-3AC	1450	Inlet	76	69	79	74	73	73	71	65	83
		Outlet	78	69	78	72	72	73	70	65	83
SLC560/4B-3AC	1470	Inlet	79	72	80	76	74	74	71	67	85
		Outlet	81	73	79	78	74	74	72	69	86
SLC560/4C-3AC	1460	Inlet	79	74	81	77	75	73	71	66	85
		Outlet	81	74	80	76	76	73	71	68	86
SLC630/4A-3AC	1475	Inlet	79	71	79	79	78	79	76	71	86
		Outlet	82	73	78	79	78	79	76	72	87
SLC630/4B-3AC	1460	Inlet	84	81	84	82	81	80	77	73	90
		Outlet	89	84	84	83	81	81	78	75	93
SLC710/4A-3AC	1440	Inlet	87	84	90	89	87	84	81	77	95
		Outlet	92	89	89	88	86	85	81	79	97
SLC710/4B-3AC	1460	Inlet	92	88	91	90	90	86	83	80	98
		Outlet	95	91	90	89	89	86	83	82	99
SLC710/6A-3AC	910	Inlet	73	76	76	75	76	75	71	65	83
		Outlet	79	76	74	74	75	75	71	66	84
SLC710/6B-3AC	940	Inlet	84	83	81	79	79	76	73	69	89
		Outlet	87	85	84	79	78	76	74	72	91
SLC800/4A-3AC	1465	Inlet	82	77	89	88	82	81	82	82	93
		Outlet	85	80	87	85	83	82	82	82	93
SLC800/4B-3AC	1460	Inlet	91	85	97	92	90	88	86	85	100
		Outlet	88	82	85	83	84	83	81	80	93
SLC800/6A-3AC	940	Inlet	74	69	79	74	73	72	71	67	83
		Outlet	78	72	80	77	74	74	72	70	85

Data provided at standard air density of 1.2 kg/m<sup>3</sup>.  
 Tests and preparation of the sound data have been carried out in accordance with BS 848 Part 2:1985 at 50% peak pressure.  
 The Sound Power Level Spectra are in dB re-1pW.

# REVOLUTION SLC



## Sound Data

Three Phase 380V to 415V / 50Hz

Product Code	Speed r/min		Sound Power Level dBW @ Octave Band Hz								Total dB
			63Hz	125Hz	250Hz	500Hz	1kHz	2kHz	4kHz	8kHz	
SLC800/6B-3AC	955	Inlet	77	72	78	80	75	73	71	69	85
		Outlet	82	75	77	83	76	75	74	73	87
SLC900/4A-3AC	1465	Inlet	93	88	95	88	89	88	86	84	99
		Outlet	92	87	91	87	88	88	86	85	98
SLC900/4B-3AC	1470	Inlet	97	93	94	90	91	89	87	82	101
		Outlet	100	95	93	89	91	89	88	84	103
SLC900/6A-3AC	955	Inlet	83	77	84	82	78	78	78	73	89
		Outlet	83	76	82	82	78	78	77	74	89
SLC900/6B-3AC	960	Inlet	84	79	84	82	80	80	77	74	90
		Outlet	86	79	82	81	80	79	78	76	90
SLC900/8-3AC	700	Inlet	80	78	77	75	74	74	71	67	85
		Outlet	81	77	75	75	74	73	72	69	85
SLC1000/4A-3AC	1455	Inlet	96	92	95	94	96	96	92	89	103
		Outlet	98	92	94	94	97	95	92	88	104
SLC1000/4B-3AC	1470	Inlet	102	99	99	98	97	95	92	89	107
		Outlet	96	92	94	95	96	94	93	90	103
SLC1000/4C-3AC	1465	Inlet	97	93	98	96	97	95	93	90	105
		Outlet	100	96	97	96	97	95	94	91	105
SLC1000/6A-3AC	955	Inlet	80	78	92	95	93	90	85	80	99
		Outlet	82	78	90	94	91	90	85	81	98
SLC1000/6B-3AC	960	Inlet	84	81	87	87	87	86	85	80	94
		Outlet	87	83	86	86	86	86	85	81	94
SLC1000/8-3AC	700	Inlet	78	80	79	78	79	79	76	71	87
		Outlet	83	80	78	77	77	78	76	73	88

Data provided at standard air density of 1.2 Kg/m<sup>3</sup>.  
 Tests and preparation of the sound data have been carried out in accordance with BS 848 Part 2:1985 at 50% peak pressure.  
 The Sound Power Level Spectra are in dB re-1pW.

## Sound Data

Single Phase 220V to 277V / 50Hz or 60Hz

Product Code	Control Voltage V		Sound Power Level dBW @ Octave Band Hz								Total dB
			63Hz	125Hz	250Hz	500Hz	1kHz	2kHz	4kHz	8kHz	
SLC315-1EC	10	Inlet	65	68	71	60	60	58	56	56	74
		Outlet	68	69	73	60	59	59	56	58	76
	8	Inlet	61	69	56	53	55	54	50	53	70
		Outlet	64	69	58	55	54	54	50	57	71
	5	Inlet	58	49	43	40	42	45	35	39	59
		Outlet	59	50	45	41	42	45	35	45	60
	2	Inlet	36	28	21	25	31	51	32	29	51
		Outlet	37	28	22	25	32	50	35	30	50
SLC355-1EC	10	Inlet	65	69	68	70	69	66	60	56	76
		Outlet	68	68	70	70	70	66	60	56	77
	8	Inlet	59	64	63	62	61	58	52	53	70
		Outlet	62	63	64	63	62	59	52	53	70
	5	Inlet	60	64	57	50	47	48	35	38	66
		Outlet	62	62	59	51	47	51	35	38	66
	2	Inlet	39	31	22	25	31	55	34	30	55
		Outlet	40	30	24	25	32	59	34	31	59
SLC400-1EC	10	Inlet	76	74	75	73	70	69	64	63	81
		Outlet	79	76	79	73	71	70	65	64	84
	8	Inlet	71	73	67	66	64	63	58	57	77
		Outlet	73	76	68	66	65	64	58	62	79
	5	Inlet	65	66	60	55	53	59	45	48	70
		Outlet	66	66	61	55	53	61	46	46	70
	2	Inlet	42	34	27	50	52	64	44	37	65
		Outlet	43	35	28	50	54	66	45	39	66
SLC450-1EC	10	Inlet	83	79	80	77	73	72	68	68	87
		Outlet	85	79	79	76	73	73	69	69	88
	8	Inlet	77	77	69	70	67	67	63	63	81
		Outlet	78	77	70	69	67	68	63	63	82
	5	Inlet	66	65	62	65	58	61	49	49	71
		Outlet	67	65	63	63	58	63	49	50	72
	2	Inlet	46	39	43	51	54	61	38	37	62
		Outlet	47	40	43	51	57	64	40	38	65
SLC500-1EC	10	Inlet	70	72	77	75	73	73	71	68	82
		Outlet	72	74	79	75	73	73	71	69	83
	8	Inlet	69	74	80	76	73	70	65	66	83
		Outlet	70	75	80	76	73	71	66	67	83
	5	Inlet	64	61	59	59	59	58	51	54	69
		Outlet	64	62	61	58	59	58	51	56	69
	2	Inlet	43	36	45	40	55	54	39	40	58
		Outlet	44	36	48	42	56	54	41	39	59

Data provided at standard air density of 1.2 Kg/m<sup>3</sup>.  
 Tests and preparation of the sound data have been carried out in accordance with BS 848 Part 2:1985 at 50% peak pressure.  
 The Sound Power Level Spectra are in dB re-1pW.

# REVOLUTION SLC



## Sound Data

Single Phase 220V to 277V / 50Hz or 60Hz

Product Code	Control Voltage V		Sound Power Level dBW @ Octave Band Hz								Total dB
			63Hz	125Hz	250Hz	500Hz	1kHz	2kHz	4kHz	8kHz	
SLC560-1EC	10	Inlet	73	74	78	79	78	77	75	73	85
		Outlet	77	74	77	79	78	78	75	74	86
	8	Inlet	68	73	69	74	72	72	69	67	80
		Outlet	72	74	69	72	72	72	69	69	81
	5	Inlet	63	61	63	63	62	61	56	54	70
		Outlet	64	62	64	62	62	61	56	56	71
	2	Inlet	47	39	45	47	55	56	40	39	59
		Outlet	48	39	42	45	57	58	43	40	61
SLC630-1EC	10	Inlet	79	78	82	82	81	81	78	76	89
		Outlet	83	79	84	80	81	81	79	77	90
	8	Inlet	73	75	75	79	78	77	74	69	85
		Outlet	77	77	75	79	79	78	74	72	86
	5	Inlet	67	65	63	63	65	65	60	55	73
		Outlet	68	65	63	64	65	65	60	57	73
	2	Inlet	49	43	41	44	57	55	40	40	60
		Outlet	49	42	44	45	55	60	44	42	62

Data provided at standard air density of 1.2 Kg/m<sup>3</sup>.  
 Tests and preparation of the sound data have been carried out in accordance with BS 848 Part 2:1985 at 50% peak pressure.  
 The Sound Power Level Spectra are in dB re-1pW.

## Dimensional Data

### Single & Three Phase

Product Code	Fan Dia. A	B	C	D	E	F	G	K	Weight kg
SLC315/4-3AC	315	375	300	218	8	10	355	20	16
SLC355/4-3AC	355	425	375	239	8	10	395	20	19
SLC400/4-1AC	400	475	400	262	8	12	450	20	34
SLC400/4-3AC	400	475	400	262	8	12	450	20	34
SLC450/2-1AC	450	530	375	287	8	12	500	20	34
SLC450/2A-3AC	450	530	450	287	8	12	500	20	33
SLC450/4-1AC	450	530	375	287	8	12	500	20	35
SLC450/4-3AC	450	530	375	287	8	12	500	20	35
SLC500/2A-3AC	500	585	450	312	12	12	560	20	72
SLC500/2B-3AC	500	585	450	312	12	12	560	20	71
SLC500/4A-1AC	500	585	400	312	12	12	560	20	37
SLC500/4A-3AC	500	585	400	312	12	12	560	20	33
SLC500/4B-1AC	500	585	400	312	12	12	560	20	41
SLC500/4B-3AC	500	585	400	312	12	12	560	20	33
SLC560/2-3AC	560	645	570	342	12	12	620	25	96
SLC560/4A-1AC	560	645	400	342	12	12	620	20	45
SLC560/4A-3AC	560	645	400	342	12	12	620	20	40
SLC560/4B-1AC	560	645	400	342	12	12	620	20	50
SLC560/4B-3AC	560	645	400	342	12	12	620	20	44
SLC560/4C-3AC	560	645	400	342	12	12	620	20	38
SLC630/4-1AC	630	715	400	377	12	12	690	20	41
SLC630/4A-3AC	630	715	400	377	12	12	690	20	47
SLC630/4B-1AC	630	715	400	377	12	12	690	20	53
SLC630/4B-3AC	630	715	400	377	12	12	690	20	58
SLC710/4A-3AC	710	795	450	420	16	12	770	20	70
SLC710/4B-3AC	710	795	450	420	16	12	770	25	77
SLC710/6A-3AC	710	795	450	420	16	12	770	20	45
SLC710/6B-3AC	710	795	450	420	16	12	770	20	61
SLC800/4A-3AC	800	885	450	465	16	12	860	25	75
SLC800/4B-3AC	800	885	570	465	16	12	860	25	101
SLC800/6A-3AC	800	885	450	465	16	12	860	20	75
SLC800/6B-3AC	800	885	450	465	16	12	860	25	75
SLC900/4A-3AC	900	1000	570	520	16	15	970	25	134
SLC900/4B-3AC	900	1000	710	554	16	15	970	32	206
SLC900/6A-3AC	900	1000	450	520	16	15	970	25	75
SLC900/6B-3AC	900	1000	570	520	16	15	970	25	135
SLC900/8-3AC	900	1000	450	520	16	15	970	25	107
SLC1000/4A-3AC	1000	1110	590	567	16	15	1070	25	159
SLC1000/4B-3AC	1000	1110	790	606	16	15	1070	32	239
SLC1000/4C-3AC	1000	1110	790	606	16	15	1070	32	263
SLC1000/6A-3AC	1000	1110	590	567	16	15	1070	25	127
SLC1000/6B-3AC	1000	1110	590	567	16	15	1070	25	159
SLC1000/8-3AC	1000	1110	590	567	16	15	1070	25	136

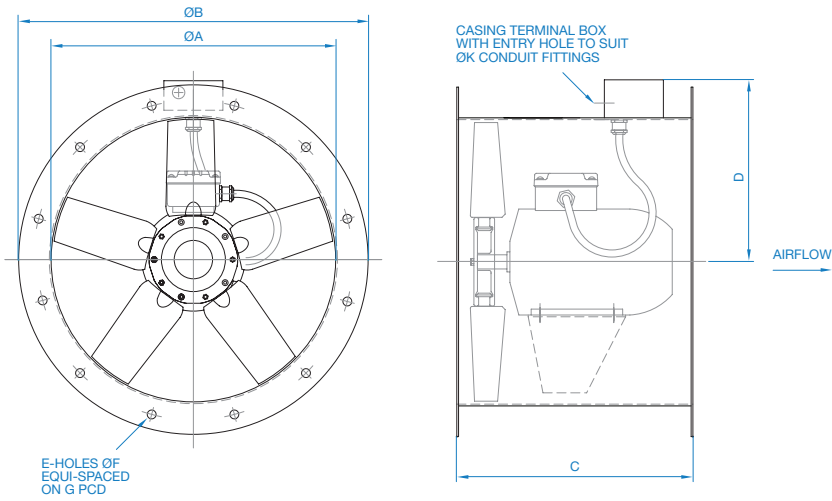


# REVOLUTION SLC



## Dimensional Data

### Single & Three Phase



Dimensions are in mm.

Elta Limited has a policy of continuous product development and improvement and therefore reserves the right to supply products which may differ from those illustrated and described in this publication. Confirmation of dimensions and data will be supplied on request.

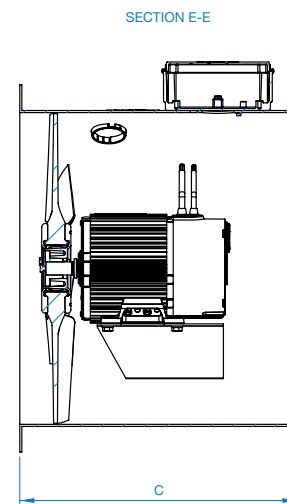
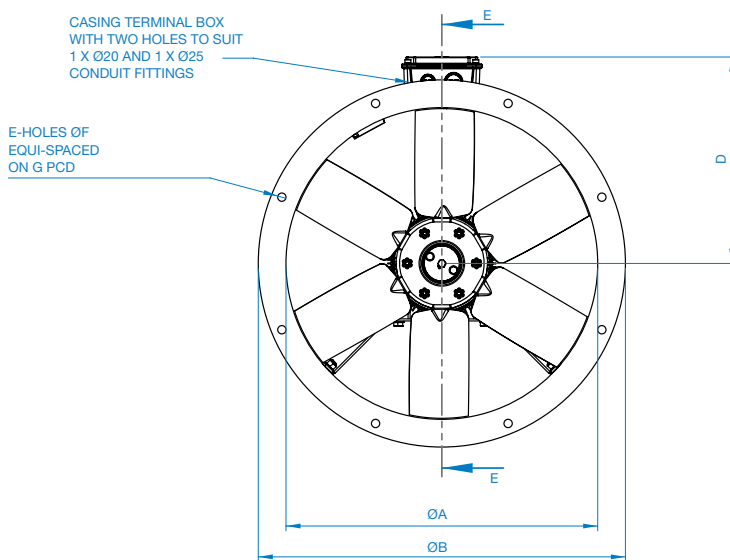
# REVOLUTION SLC



## Dimensional Data

### Single Phase

Product Code	Fan Dia. A	B	C	D	E	F	G	K	Weight kg
SLC315-1EC	315	375	400	229	8	10	355	20	15
SLC355-1EC	355	425	400	250	8	10	395	20	19
SLC400-1EC	400	475	400	272	8	12	450	20	25
SLC450-1EC	450	530	400	298	8	12	500	20	30
SLC500-1EC	500	585	400	323	12	12	560	20	35
SLC560-1EC	560	645	400	353	12	12	620	20	37
SLC630-1EC	630	715	400	388	12	12	690	20	37



Dimensions are in mm.

## Accessories

### Single Phase

Product Code	Ancillary Pack*	AV Mounts (set of 4)	Bell Mouth Inlet	Flanged Damper	Flanged Silencer 1D Podded	Flanged Silencer 1D Unpodded	Flanged Silencer 2D Podded
<a href="#">SLC400/4-1AC</a>	APK400/003	062-003	241B-0400-BELL	019-0400-STD	068-0400-1DEP	068-0400-1DENP	068-0400-2DEP
<a href="#">SLC450/2-1AC</a>	APK450/003	062-003	241B-0450-BELL	019-0450-STD	068-0450-1DEP	068-0450-1DENP	068-0450-2DEP
<a href="#">SLC450/4-1AC</a>	APK450/003	062-003	241B-0450-BELL	019-0450-STD	068-0450-1DEP	068-0450-1DENP	068-0450-2DEP
<a href="#">SLC500/4A-1AC</a>	APK500/003	062-003	241B-0500-BELL	019-0500-STD	068-0500-1DEP	068-0500-1DENP	068-0500-2DEP
<a href="#">SLC500/4B-1AC</a>	APK500/003	062-003	241B-0500-BELL	019-0500-STD	068-0500-1DEP	068-0500-1DENP	068-0500-2DEP
<a href="#">SLC560/4A-1AC</a>	APK560/003	062-003	241B-0560-BELL	019-0560-STD	068-0560-1DEP	068-0560-1DENP	068-0560-2DEP
<a href="#">SLC560/4B-1AC</a>	APK560/003	062-003	241B-0560-BELL	019-0560-STD	068-0560-1DEP	068-0560-1DENP	068-0560-2DEP
<a href="#">SLC630/4-1AC</a>	APK630/003	062-003	241B-0630-BELL	019-0630-STD	068-0630-1DEP	068-0630-1DENP	068-0630-2DEP
<a href="#">SLC630/4B-1AC</a>	APK630/003	062-003	241B-0630-BELL	019-0630-STD	068-0630-1DEP	068-0630-1DENP	068-0630-2DEP

Product Code	Flanged Silencer 2D Unpodded	Impeller Side Guard	Matching Flanges (each)	Mounting Feet (each)	Standard Ambient Flexible Connectors (each)	Transformer Controller	Wiring Diagram
<a href="#">SLC400/4-1AC</a>	068-0400-2DENP	078C-0400-C	061B-0400	060Z-0400	063-0400-MAN150	149-TC18	152-502
<a href="#">SLC450/2-1AC</a>	068-0450-2DENP	078C-0450-C	061B-0450	060Z-0450	063-0450-MAN150	-	152-502
<a href="#">SLC450/4-1AC</a>	068-0450-2DENP	078C-0450-C	061B-0450	060Z-0450	063-0450-MAN150	-	152-502
<a href="#">SLC500/4A-1AC</a>	068-0500-2DENP	078C-0500-C	061B-0500	060Z-0500	063-0500-MAN150	-	152-502
<a href="#">SLC500/4B-1AC</a>	068-0500-2DENP	078C-0500-C	061B-0500	060Z-0500	063-0500-MAN150	149-TC18	152-502
<a href="#">SLC560/4A-1AC</a>	068-0560-2DENP	078C-0560-C	061B-0560	060B-0560	063-0560-MAN150	-	152-502
<a href="#">SLC560/4B-1AC</a>	068-0560-2DENP	078C-0560-C	061B-0560	060B-0560	063-0560-MAN150	149-TC116	152-502
<a href="#">SLC630/4-1AC</a>	068-0630-2DENP	078C-0630-C	061B-0630	060B-0630	063-0630-MAN200	149-TC18	152-502
<a href="#">SLC630/4B-1AC</a>	068-0630-2DENP	078C-0630-C	061B-0630	060B-0630	063-0630-MAN200	149-TC116	152-502

\* Consists of Flexible Connections, Matching Flanges, AV Mounts and Mounting Feet.

### Three Phase

Product Code	Ancillary Pack*	AV Mounts (set of 4)	Bell Mouth Inlet	Eltadrive Variable Speed Drive 1PH-3PH IP66	Eltadrive Variable Speed Drive 3PH-3PH IP66	Flanged Damper
SLC315/4-3AC	APK315/002	062-002	241B-0315	149-ODE3-12037-1KB1B	149-ODE3-14075-3KA1B	019-0315-STD
SLC355/4-3AC	APK350/002	062-002	241B-0355	149-ODE3-12037-1KB1B	149-ODE3-14075-3KA1B	019-0355-STD
SLC400/4-3AC	APK400/003	062-003	241B-0400-BELL	149-ODE3-12037-1KB1B	149-ODE3-14075-3KA1B	019-0400-STD
SLC450/2A-3AC	APK450/003	062-003	241B-0450-BELL	149-ODE3-22220-1KB4B	149-ODE3-24220-3KA4B	019-0450-STD
SLC450/4-3AC	APK450/003	062-003	241B-0450-BELL	149-ODE3-12075-1KB1B	149-ODE3-14075-3KA1B	019-0450-STD
SLC500/2A-3AC	APK500/003	062-003	241B-0500-BELL	-	149-ODE3-24400-3KA4B	019-0500-STD
SLC500/2B-3AC	APK500/003	062-003	241B-0500-BELL	-	149-ODE3-34055-3KA4B	019-0500-STD
SLC500/4A-3AC	APK500/003	062-003	241B-0500-BELL	149-ODE3-12037-1KB1B	149-ODE3-14075-3KA1B	019-0500-STD
SLC500/4B-3AC	APK500/003	062-003	241B-0500-BELL	149-ODE3-12075-1KB1B	149-ODE3-14075-3KA1B	019-0500-STD
SLC560/2-3AC	APK560/003	062-003	241B-0560-BELL	-	149-ODE3-34075-3KA4B	019-0560-STD
SLC560/4A-3AC	APK560/003	062-003	241B-0560-BELL	149-ODE3-12075-1KB1B	149-ODE3-14075-3KA1B	019-0560-STD
SLC560/4B-3AC	APK560/003	062-003	241B-0560-BELL	149-ODE3-12150-1KB1B	149-ODE3-14150-3KA1B	019-0560-STD
SLC560/4C-3AC	APK560/003	062-003	241B-0560-BELL	149-ODE3-12150-1KB1B	149-ODE3-14150-3KA1B	019-0560-STD
SLC630/4A-3AC	APK630/003	062-003	241B-0630-BELL	149-ODE3-12150-1KB1B	149-ODE3-14150-3KA1B	019-0630-STD
SLC630/4B-3AC	APK630/003	062-003	241B-0630-BELL	149-ODE3-22220-1KB4B	149-ODE3-24220-3KA4B	019-0630-STD
SLC710/4A-3AC	APK710/004	062-004	241B-0710-BELL	-	149-ODE3-24400-3KA4B	019-0710-STD
SLC710/4B-3AC	APK710/004	062-004	241B-0710-BELL	-	149-ODE3-24400-3KA4B	019-0710-STD
SLC710/6A-3AC	APK710/003	062-003	241B-0710-BELL	149-ODE3-12075-1KB1B	149-ODE3-14075-3KA1B	019-0710-STD
SLC710/6B-3AC	APK710/003	062-003	241B-0710-BELL	149-ODE3-22220-1KB4B	149-ODE3-24220-3KA4B	019-0710-STD
SLC800/4A-3AC	APK800/004	062-004	241B-0800-BELL	-	149-ODE3-24400-3KA4B	019-0800-STD
SLC800/4B-3AC	APK800/004	062-004	241B-0800-BELL	-	149-ODE3-34055-3KA4B	019-0800-STD
SLC800/6A-3AC	APK800/003	062-003	241B-0800-BELL	149-ODE3-22220-1KB4B	149-ODE3-24220-3KA4B	019-0800-STD
SLC800/6B-3AC	APK800/004	062-004	241B-0800-BELL	-	149-ODE3-24400-3KA4B	019-0800-STD
SLC900/4A-3AC	APK900/005	062-005	241B-0900-BELL	-	149-ODE3-34075-3KA4B	019-0900-STD
SLC900/4B-3AC	APK900/006	062-006	241B-0900-BELL	-	-	019-0900-STD
SLC900/6A-3AC	APK900/004	062-004	241B-0900-BELL	-	149-ODE3-24400-3KA4B	019-0900-STD
SLC900/6B-3AC	APK900/004	062-004	241B-0900-BELL	-	149-ODE3-24400-3KA4B	019-0900-STD
SLC900/8-3AC	APK900/005	062-005	241B-0900-BELL	149-ODE3-22220-1KB4B	149-ODE3-24220-3KA4B	019-0900-STD
SLC1000/4A-3AC	APK1000/005	062-005	241B-1000-BELL	-	149-ODE3-34075-3KA4B	019-1000-STD
SLC1000/4B-3AC	APK1000/006	062-006	241B-1000-BELL	-	-	019-1000-STD
SLC1000/4C-3AC	APK1000/006	062-006	241B-1000-BELL	-	-	019-1000-STD
SLC1000/6A-3AC	APK1000/005	062-005	241B-1000-BELL	-	149-ODE3-24220-3KA4B	019-1000-STD
SLC1000/6B-3AC	APK1000/005	062-005	241B-1000-BELL	-	149-ODE3-24400-3KA4B	019-1000-STD
SLC1000/8-3AC	APK1000/005	062-005	241B-1000-BELL	149-ODE3-22220-1KB4B	149-ODE3-24220-3KA4B	019-1000-STD

\* Consists of Flexible Connections, Matching Flanges, AV Mounts and Mounting Feet.

# REVOLUTION SLC



## Accessories

### Three Phase

Product Code	Flanged Silencer 1D Podded	Flanged Silencer 1D Unpodded	Flanged Silencer 2D Podded	Flanged Silencer 2D Unpodded	Impeller Side Guard	Matching Flanges (each)	Mounting Feet (each)	Standard Ambient Flexible Connectors (each)	Transformer Controller	Wiring Diagram
SLC315/4-3AC	068-0315-1DEP	068-0315-1DENP	068-0315-2DEP	068-0315-2DENP	078C-0315-C	061B-0315	060Z-0315	063-0315-MAN150	149-TC33	152-600
SLC355/4-3AC	068-0350-1DEP	068-0350-1DENP	068-0350-2DEP	068-0350-2DENP	078C-0350-C	061B-0355	060Z-0355	063-0350-MAN150	149-TC33	152-600
SLC400/4-3AC	068-0400-1DEP	068-0400-1DENP	068-0400-2DEP	068-0400-2DENP	078C-0400-C	061B-0400	060Z-0400	063-0400-MAN150	149-TC33	152-600
SLC450/2A-3AC	068-0450-1DEP	068-0450-1DENP	068-0450-2DEP	068-0450-2DENP	078C-0450-C	061B-0450	060Z-0450	063-0450-MAN150	-	152-600
SLC450/4-3AC	068-0450-1DEP	068-0450-1DENP	068-0450-2DEP	068-0450-2DENP	078C-0450-C	061B-0450	060Z-0450	063-0450-MAN150	149-TC33	152-600
SLC500/2A-3AC	068-0500-1DEP	068-0500-1DENP	068-0500-2DEP	068-0500-2DENP	078C-0500-C	061B-0500	060Z-0500	063-0500-MAN150	-	152-601
SLC500/2B-3AC	068-0500-1DEP	068-0500-1DENP	068-0500-2DEP	068-0500-2DENP	078C-0500-C	061B-0500	060Z-0500	063-0500-MAN150	-	152-601
SLC500/4A-3AC	068-0500-1DEP	068-0500-1DENP	068-0500-2DEP	068-0500-2DENP	078C-0500-C	061B-0500	060Z-0500	063-0500-MAN150	149-TC310	152-600
SLC500/4B-3AC	068-0500-1DEP	068-0500-1DENP	068-0500-2DEP	068-0500-2DENP	078C-0500-C	061B-0500	060Z-0500	063-0500-MAN150	-	152-600
SLC560/2-3AC	068-0560-1DEP	068-0560-1DENP	068-0560-2DEP	068-0560-2DENP	078C-0560-C	061B-0560	060B-0560	063-0560-MAN150	-	152-601
SLC560/4A-3AC	068-0560-1DEP	068-0560-1DENP	068-0560-2DEP	068-0560-2DENP	078C-0560-C	061B-0560	060B-0560	063-0560-MAN150	-	152-600
SLC560/4B-3AC	068-0560-1DEP	068-0560-1DENP	068-0560-2DEP	068-0560-2DENP	078C-0560-C	061B-0560	060B-0560	063-0560-MAN150	-	152-600
SLC560/4C-3AC	068-0560-1DEP	068-0560-1DENP	068-0560-2DEP	068-0560-2DENP	078C-0560-C	061B-0560	060B-0560	063-0560-MAN150	-	152-600
SLC630/4A-3AC	068-0630-1DEP	068-0630-1DENP	068-0630-2DEP	068-0630-2DENP	078C-0630-C	061B-0630	060B-0630	063-0630-MAN200	-	152-600
SLC630/4B-3AC	068-0630-1DEP	068-0630-1DENP	068-0630-2DEP	068-0630-2DENP	078C-0630-C	061B-0630	060B-0630	063-0630-MAN200	-	152-600
SLC710/4A-3AC	068-0710-1DEP	068-0710-1DENP	068-0710-2DEP	068-0710-2DENP	078C-0710-C	061B-0710	060B-0710	063-0710-MAN200	-	152-600
SLC710/4B-3AC	068-0710-1DEP	068-0710-1DENP	068-0710-2DEP	068-0710-2DENP	078C-0710-C	061B-0710	060B-0710	063-0710-MAN200	-	152-601
SLC710/6A-3AC	068-0710-1DEP	068-0710-1DENP	068-0710-2DEP	068-0710-2DENP	078C-0710-C	061B-0710	060B-0710	063-0710-MAN200	149-TC33	152-600
SLC710/6B-3AC	068-0710-1DEP	068-0710-1DENP	068-0710-2DEP	068-0710-2DENP	078C-0710-C	061B-0710	060B-0710	063-0710-MAN200	-	152-600
SLC800/4A-3AC	068-0800-1DEP	068-0800-1DENP	068-0800-2DEP	068-0800-2DENP	078C-0800-C	061B-0800	060B-0800	063-0800-MAN200	-	152-601
SLC800/4B-3AC	068-0800-1DEP	068-0800-1DENP	068-0800-2DEP	068-0800-2DENP	078C-0800-C	061B-0800	060B-0800	063-0800-MAN200	-	152-601
SLC800/6A-3AC	068-0800-1DEP	068-0800-1DENP	068-0800-2DEP	068-0800-2DENP	078C-0800-C	061B-0800	060B-0800	063-0800-MAN200	-	152-600
SLC800/6B-3AC	068-0800-1DEP	068-0800-1DENP	068-0800-2DEP	068-0800-2DENP	078C-0800-C	061B-0800	060B-0800	063-0800-MAN200	-	152-601
SLC900/4A-3AC	068-0900-1DEP	068-0900-1DENP	068-0900-2DEP	068-0900-2DENP	078C-0900-C	061B-0900	060B-0900	063-0900-MAN200	-	152-601
SLC900/4B-3AC	068-0900-1DEP	068-0900-1DENP	068-0900-2DEP	068-0900-2DENP	078C-0900-C	061B-0900	060B-0900	063-0900-MAN200	-	152-601
SLC900/6A-3AC	068-0900-1DEP	068-0900-1DENP	068-0900-2DEP	068-0900-2DENP	078C-0900-C	061B-0900	060B-0900	063-0900-MAN200	-	152-601
SLC900/6B-3AC	068-0900-1DEP	068-0900-1DENP	068-0900-2DEP	068-0900-2DENP	078C-0900-C	061B-0900	060B-0900	063-0900-MAN200	-	152-601
SLC900/8-3AC	068-0900-1DEP	068-0900-1DENP	068-0900-2DEP	068-0900-2DENP	078C-0900-C	061B-0900	060B-0900	063-0900-MAN200	-	152-600
SLC1000/4A-3AC	068-1000-1DEP	068-1000-1DENP	068-1000-2DEP	068-1000-2DENP	078C-1000-C	061B-1000	060B-1000	063-1000-MAN250	-	152-601
SLC1000/4B-3AC	068-1000-1DEP	068-1000-1DENP	068-1000-2DEP	068-1000-2DENP	078C-1000-C	061B-1000	060B-1000	063-1000-MAN250	-	152-601
SLC1000/4C-3AC	068-1000-1DEP	068-1000-1DENP	068-1000-2DEP	068-1000-2DENP	078C-1000-C	061B-1000	060B-1000	063-1000-MAN250	-	152-601
SLC1000/6A-3AC	068-1000-1DEP	068-1000-1DENP	068-1000-2DEP	068-1000-2DENP	078C-1000-C	061B-1000	060B-1000	063-1000-MAN250	-	152-601
SLC1000/6B-3AC	068-1000-1DEP	068-1000-1DENP	068-1000-2DEP	068-1000-2DENP	078C-1000-C	061B-1000	060B-1000	063-1000-MAN250	-	152-601
SLC1000/8-3AC	068-1000-1DEP	068-1000-1DENP	068-1000-2DEP	068-1000-2DENP	078C-1000-C	061B-1000	060B-1000	063-1000-MAN250	-	152-600



Fan & inverter packages available

Please contact Elta for more information.

### Single Phase

Product Code	Ancillary Pack*	AV Mounts (set of 4)**	Bell Mouth Inlet	EC Electronic Controller	Flanged Damper	Flanged Silencer 1D Podded	Flanged Silencer 1D Unpodded
<a href="#">SLC315-1EC</a>	APK315/002	062-002	241B-0315	149-POT-10-MI	019-0315-STD	068-0315-1DEP	068-0315-1DENP
<a href="#">SLC355-1EC</a>	APK350/002	062-002	241B-0355	149-POT-10-MI	019-0355-STD	068-0350-1DEP	068-0350-1DENP
<a href="#">SLC400-1EC</a>	APK400/003	062-003	241B-0400-BELL	149-POT-10-MI	019-0400-STD	068-0400-1DEP	068-0400-1DENP
<a href="#">SLC450-1EC</a>	APK450/003	062-003	241B-0450-BELL	149-POT-10-MI	019-0450-STD	068-0450-1DEP	068-0450-1DENP
<a href="#">SLC500-1EC</a>	APK500/003	062-003	241B-0500-BELL	149-POT-10-MI	019-0500-STD	068-0500-1DEP	068-0500-1DENP
<a href="#">SLC560-1EC</a>	APK560/003	062-003	241B-0560-BELL	149-POT-10-MI	019-0560-STD	068-0560-1DEP	068-0560-1DENP
<a href="#">SLC630-1EC</a>	APK630/003	062-003	241B-0630-BELL	149-POT-10-MI	019-0630-STD	068-0630-1DEP	068-0630-1DENP

Product Code	Flanged Silencer 2D Podded	Flanged Silencer 2D Unpodded	Impeller Side Guard	Matching Flanges (each)	Mounting Feet (each)	Standard Ambient Flexible Connectors (each)	Wiring Diagram
<a href="#">SLC315-1EC</a>	068-0315-2DEP	068-0315-2DENP	078C-0315-C	061B-0315	060Z-0315	063-0315-MAN150	152-710
<a href="#">SLC355-1EC</a>	068-0350-2DEP	068-0350-2DENP	078C-0350-C	061B-0355	060Z-0355	063-0355-MAN150	152-710
<a href="#">SLC400-1EC</a>	068-0400-2DEP	068-0400-2DENP	078C-0400-C	061B-0400	060Z-0400	063-0400-MAN150	152-710
<a href="#">SLC450-1EC</a>	068-0450-2DEP	068-0450-2DENP	078C-0450-C	061B-0450	060Z-0450	063-0450-MAN150	152-710
<a href="#">SLC500-1EC</a>	068-0500-2DEP	068-0500-2DENP	078C-0500-C	061B-0500	060Z-0500	063-0500-MAN150	152-710
<a href="#">SLC560-1EC</a>	068-0560-2DEP	068-0560-2DENP	078C-0560-C	061B-0560	060B-0560	063-0560-MAN150	152-710
<a href="#">SLC630-1EC</a>	068-0630-2DEP	068-0630-2DENP	078C-0630-C	061B-0630	060B-0630	063-0630-MAN200	152-710

\*Consists of Flexible Connections, Matching Flanges, AV Mounts and Mounting Feet.

\*\*Supplied as a single mount.









Tel **+44 (0) 1384 275800**  
Email **info@eltauk.com**  
**eltauk.com**

SLC-09-2022 Issue I



BS EN ISO 9001:2015 FM 556465

