

LUXE

Intermittent Extract Fan

INSTALLATION, MAINTENANCE & USER GUIDE

Read this manual carefully before using the product and keep it in a safe place for reference. This product was constructed up to standard and in compliance with regulations relating to electrical equipment and must be installed by technically qualified personnel. The manufacturer assumes no responsibility for damage to persons or property resulting from failure to observe the regulations contained in this booklet.

PRECAUTIONS FOR INSTALLATION, USE & MAINTENANCE

01. The device should not be used for applications other than those specified in this manual.
02. After removing the product from its packaging, verify its condition. In case of doubt, contact a qualified technician. Do not leave packaging within the reach of small children or people with disabilities.
03. Do not touch the appliance with wet or damp hands/feet.
04. This appliance can be used by children aged from 8 years and above and persons with reduced physical, sensory or mental capabilities or lack of experience and knowledge if they have been given supervision or instruction concerning use of the appliance in a safe way and understand the hazards involved. Children shall not play with the appliance. Cleaning and user maintenance shall not be made by children without supervision. Children should be supervised to ensure that they do not play with the device.
05. Do not use the product in the presence of flammable vapours, such as alcohol, insecticides, gasoline, etc.
06. If any abnormalities in operation are detected, disconnect the device from the mains supply and contact a qualified technician immediately. Use original spare parts only for repairs.
07. The electrical system to which the device is connected must comply with regulations.
08. Before connecting the product to the power supply or the power outlet, ensure that:
 - the data plate (voltage and frequency) correspond to those of the electrical mains
 - the electrical power supply/socket is adequate for maximum device power. If not, contact a qualified technician.
09. The device should not be used as an activator for water heaters, stoves, etc., nor should it discharge into hot air/fume vent ducts deriving from any type of combustion unit. It must expel air outside via its own special duct.
10. Operating temperature: 0°C up to +50°C.
11. The device is designed to extract clean air only, i.e. without grease, soot, chemical or corrosive agents, or flammable or explosive mixtures.
12. Do not leave the device exposed to atmospheric agents (rain, sun, snow, etc.).
13. Do not immerse the device or its parts in water or other liquids.
14. Turn off the main switch whenever a malfunction is detected or when cleaning.
15. For installation, an omnipolar switch should be incorporated in the fixed wiring, in accordance with the wiring regulations, to provide a full disconnection under overvoltage category III conditions (contact opening distance equal to or greater than 3mm).
16. If the supply cord is damaged, it must be replaced by the manufacturer, its service agent or similarly qualified persons in order to avoid a hazard.
17. Do not obstruct the fan or exhaust grille to ensure optimum air passage.
18. Ensure adequate air return into the room in compliance with existing regulations in order to ensure proper device operation.
19. If the environment in which the product is installed also houses a fuel-operating device (water heater, methane stove etc., that is not a "sealed chamber" type), it is essential to ensure adequate air intake, to ensure good combustion and proper equipment operation.
20. Install the product so that the impeller is not accessible from the air outlet side as verified by contact with the Test Finger (test probe "B" of the norm EN61032) in compliance with the current safety regulations.

CEILING INSTALLATION

21. In order to guarantee the IPX4 degree of protection against moisture in case of ceiling installation, use the appropriate ceiling mount kit, which is not included. Use only the rear entry hole for supply cables. If there is a possibility of condensation along the air discharge duct, provide a drainage system to prevent condensation from discharging into the environment through the fan.
IMPORTANT: do not mount the product on the ceiling without this kit.

WINDOW INSTALLATION

22. In case of window installation it is necessary to use the appropriate window kit, available separately.
IMPORTANT: do not mount the product on the window without this kit.

01384 275771

info@eltatrade.co.uk

www.eltatrade.co.uk

INTRODUCTION

The LUXE is an axial fan designed to ensure air extraction in small/medium-sized rooms such as bathrooms, toilets and kitchens. Suitable for air discharge directly to the outside or in the presence of short linear duct (less than 1.5m). Suitable for wall, ceiling or window installation (pg. 4).

TECHNICAL SPECIFICATION

- Material: high quality, impact and UV-resistant ABS colour RAL 9010.
- Modern design front cover removable for cleaning without the use of tools.
- Rear reinforcement ring to prevent spigot deformation during installation.
- High efficiency aerodynamic fan with “winglet” blades to optimise quietness and efficiency.
- Single phase induction motor with integral thermal protection.
- Motor mounted on high quality sleeve bearings.
- Suitable for continuous or intermittent operation.
- IPX4 degree of protection.
- Power supply 220V to 240V- 50/60Hz.

VERSIONS

Luxe is available in 2 versions:

T: WITH TIMER (over-run)

The fan is provided with a timer circuit which is adjustable from approx. 1 minute to 25 minutes.

Operation: When connected, after the light is switched on, the fan activates with a delay of 1.5 seconds max. After the light is switched off, the fan continues to function for the pre-set period of time.

HT: WITH HUMIDISTAT & TIMER

The fan is equipped with a humidity detector, with a threshold adjustable from 50% to 95% Relative Humidity, and with a timer which is adjustable from approx. 1 minute to 25 minutes.

When the percentage of Relative Humidity exceeds the pre-set intervention threshold, the fan starts up automatically. When the percentage of Relative Humidity goes below the threshold, the fan continues to function for a pre-set period of time.

Operation with switch connection: When the switch or bathroom the light is switched on, the fan activates with a delay of approx. 1.5 seconds. After it is switched off, the fan continues to function for a pre-set period of time.

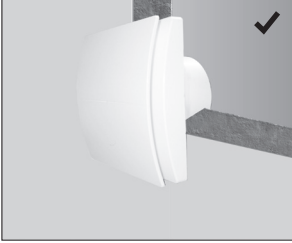
NOTE: When the relative humidity level is higher than the pre-set threshold, automatic operation with humidistat has priority over manual operation, meaning the fan cannot be stopped via the switch.

01384 275771

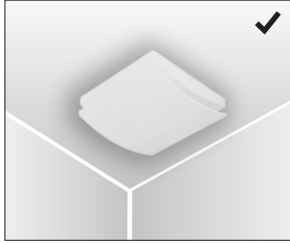
info@eltatrade.co.uk

www.eltatrade.co.uk

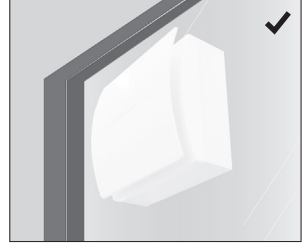
INSTALLATION



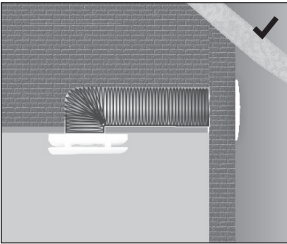
Suitable for wall installations.



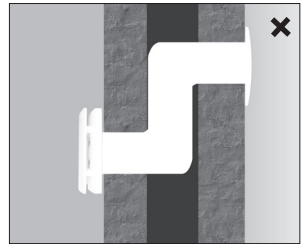
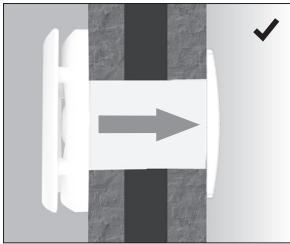
Suitable for ceiling installations. To maintain IP rating, it should be installed with optional ceiling mount kit.



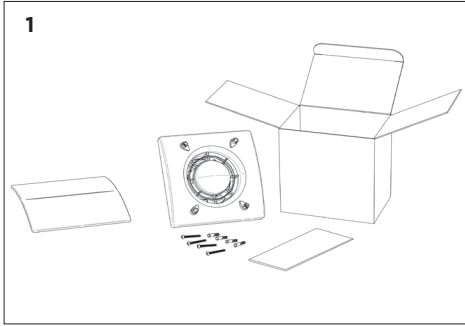
Suitable for window installations with optional window mount kit.



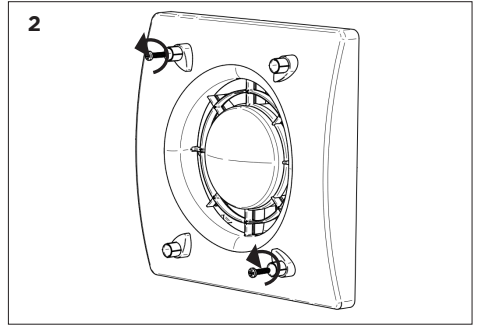
The unit is suitable for installations with short ducting lengths of less than 1.5m.



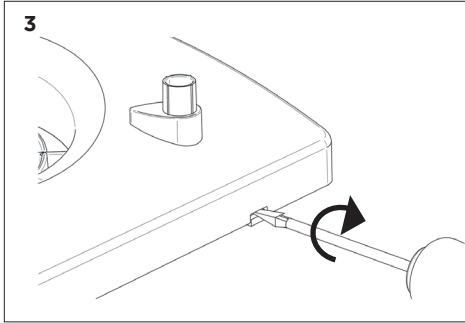
MOUNTING & ELECTRICAL WIRING



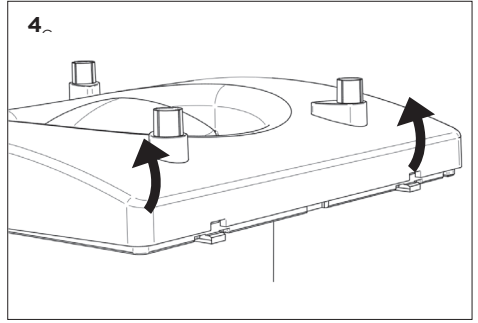
1
Check the contents of the box to make sure all items are present.



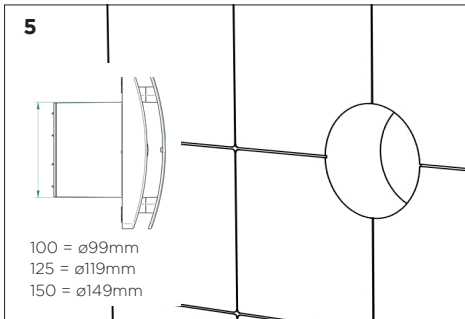
2
Remove the 2 screws to unsecure the front cover.



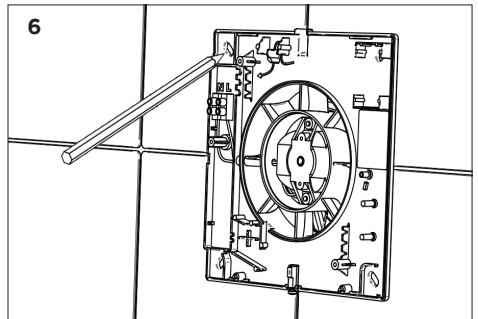
3
Use a flat bladed screwdriver to release the side tabs.



4
Lift the cover from the base.

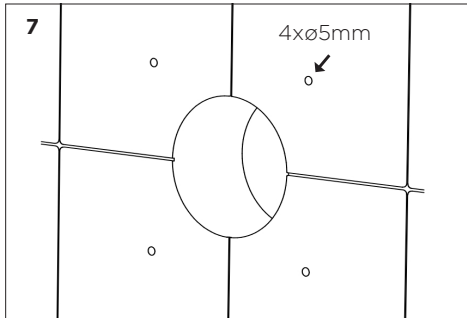


5
The hole in the wall should be the size noted above depending on the unit.

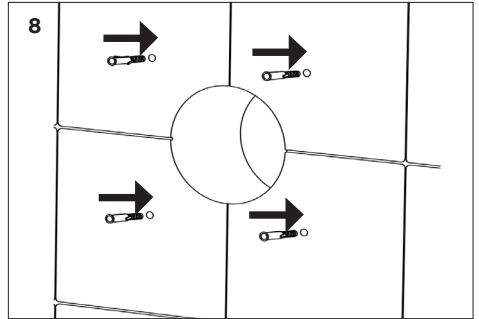


6
Hold the base plate up to the hole. After levelling, mark the 4 mounting holes on the wall.

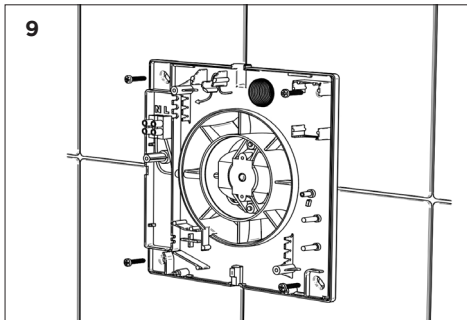
SURFACE CABLE INSTALLATION



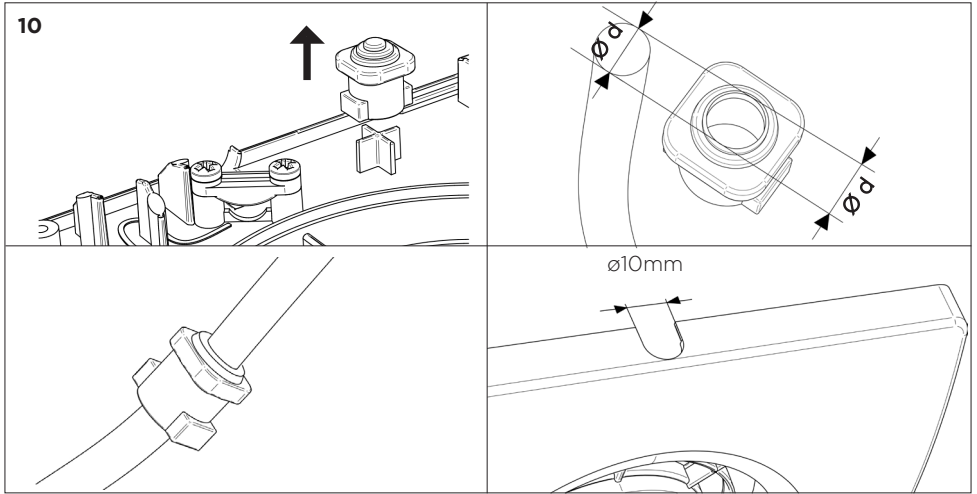
Drill 4 x 5mm mounting holes.



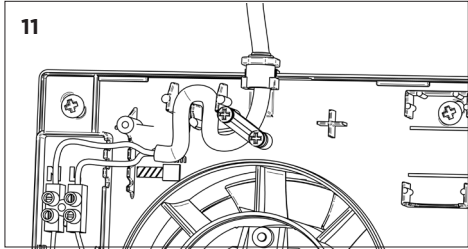
Insert the 4 supplied wall plugs. If you are mounting to other surfaces, other fixings (not supplied) may be required.



Affix the fan to the wall with the 4 screws supplied. If you are mounting to other surfaces, other fixings (not supplied) may be required.

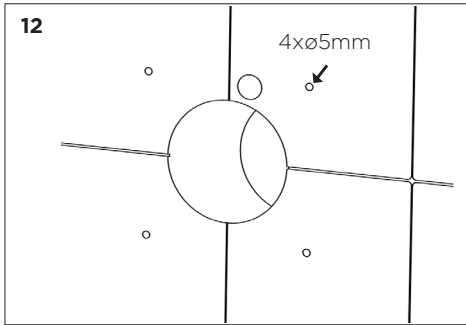


Put the cable grommet over the cable and slot into the fan. Notch the fan cover as required.

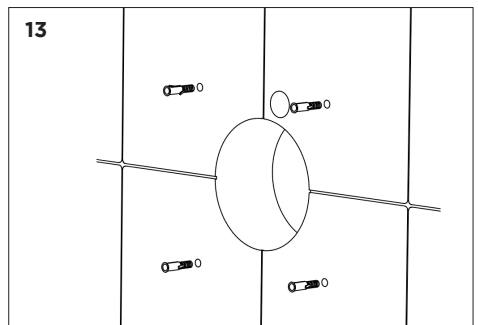


Route the cable and secure within the fan.

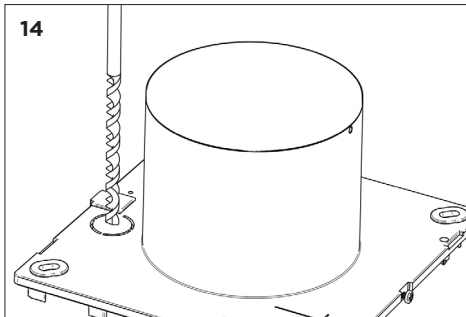
RECESSED CABLE ENTRY



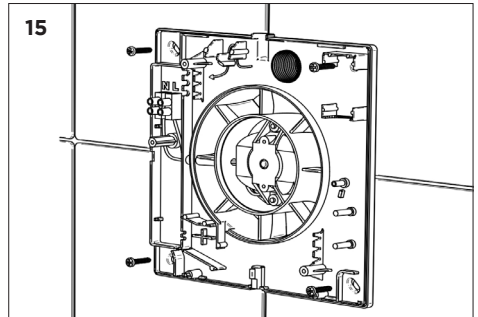
Drill 4 x 5mm mounting holes.



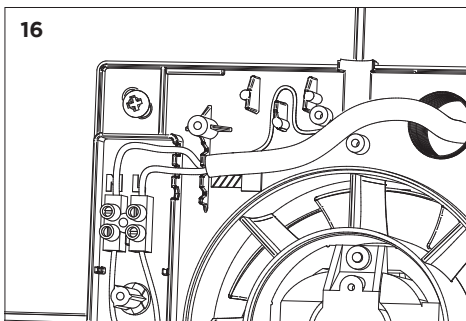
Insert the 4 supplied wall plugs. If you are mounting to other surfaces, other fixings (not supplied) may be required.



Drill/remove the rear cable knockout.

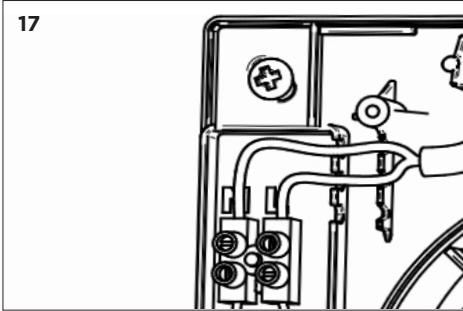


Affix the fan to the wall with the 4 screws supplied.



Route the cable and secure within the fan.

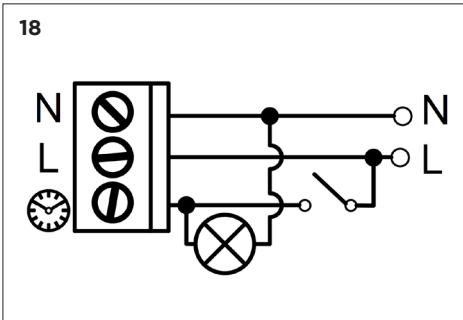
WIRING & CONNECTIONS



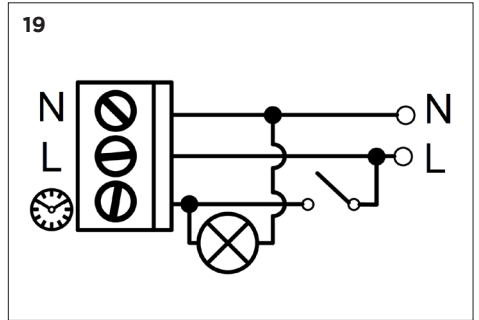
Terminate the cables as per the wiring diagram and adjust the settings for your model as shown below.

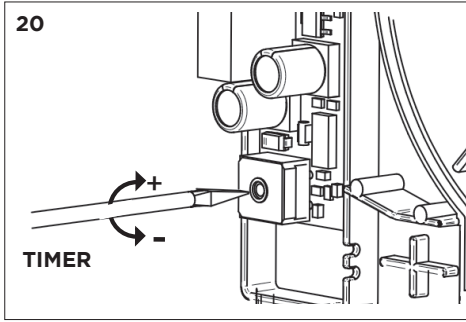
WARNING: When wiring to the PCB terminals, do not over-tighten the screws: maximum torque 0.15Nm.

TIMER VERSION

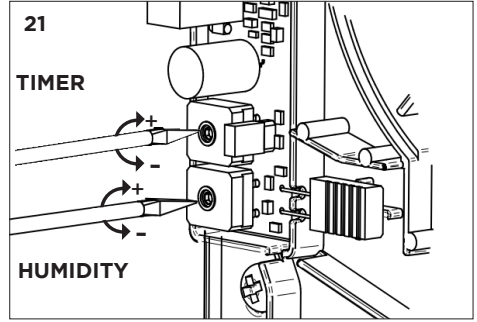


HUMIDISTAT & TIMER VERSION

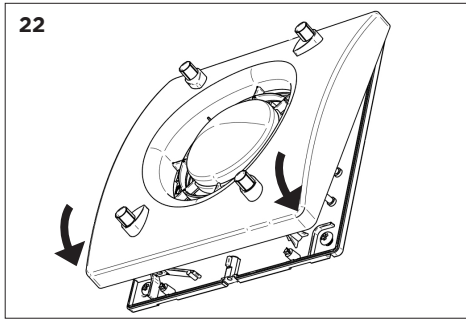




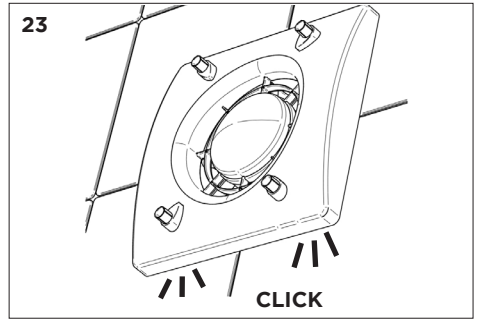
Turn the timer trimmer to adjust the run on timer from approx. 1 minute to 25 minutes.



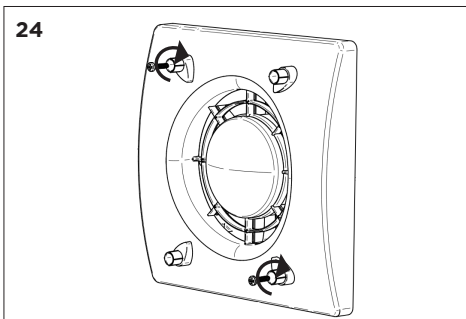
Turn the timer trimmer to adjust the run on timer from approx. 1 minute to 25 minutes. Turn the humidity trimmer to adjust the humidistat set point from between 50% to 95%. Turn the trimmer completely clockwise and the humidistat function is deactivated.



To reattach the cover, locate the 2 tabs and hinge the cover into place.

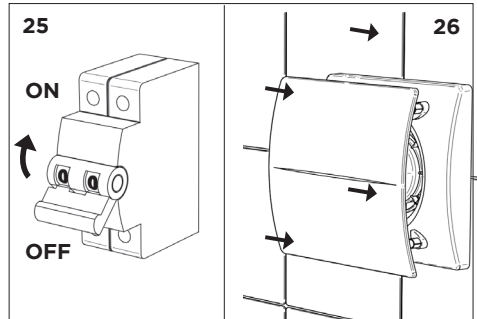


Ensure the cover clicks into place and is seated squarely all around.



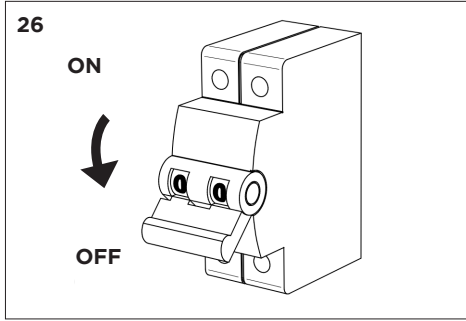
Replace the two screws removed in step 2.

01384 275771
 info@eltatrade.co.uk
 www.eltatrade.co.uk

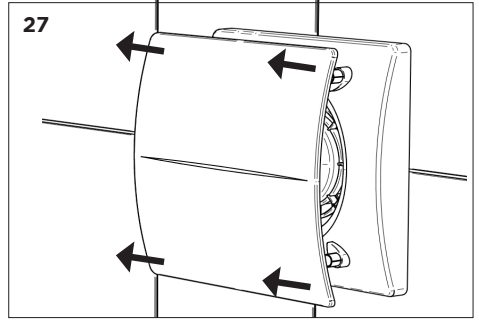


Energise the fan and check operation is correct. Then push on the front cover.

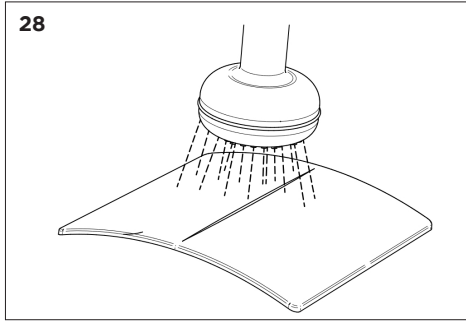
MAINTENANCE / CLEANING



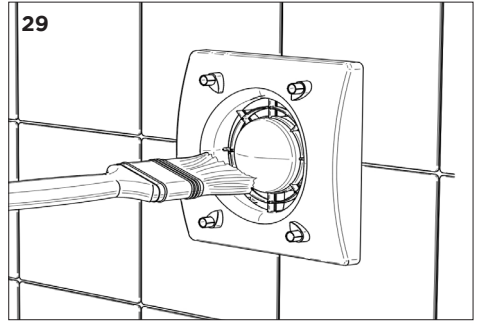
Isolate the fan.



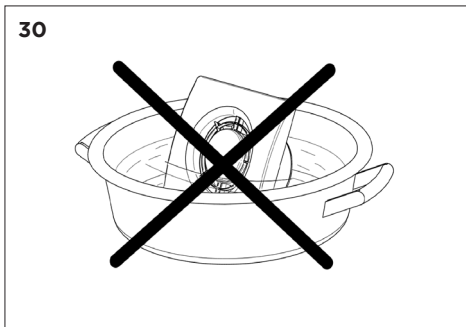
Remove the front cover



Wash the front cover



Remove any dirt from the unit with a soft bristled brush.



Do not submerge the unit or get it wet.

ErP DIRECTIVE REGULATIONS 1253/2014 - 1254/2014

a) Mark	-	ELTA TRADE		
b) Model	-	LUXE100T	LUXE125T	LUXE150T
c) SEC class	-	E	E	E
c1) SEC warm climates	kWh/m ² .a	-2.9	-2.7	-3
c2) SEC average climates	kWh/m ² .a	-10.5	-10.4	-10.7
c3) SEC cold climates	kWh/m ² .a	-23.9	-23.7	-24
Energy label	-	No		
d) Unit typology	-	Residential - unidirectional		
e) Type of drive	-	single speed drive		
f) Type of Heat Recovery System	-	absent		
g) Thermal efficiency of heat recovery	%	N/A		
h) Maximum flow rate	m ³ /h	83	140	253
i) Electric power input at maximum flow rate	W	8.3	14.6	24.2
j) Sound power level (L _{WA})	dBA	47	55	63
k) Reference flow rate	m ³ /h	83	140	253
l) Reference pressure difference	Pa	10	10	10
m) Specific power input (SPI)	W/m ³ /h	0.1	0.104	0.096
n1) Control factor	-	1	1	1
n2) Control typology	-	Manual control (no DCV)		
o1) Maximum internal leakage rate	%	N/A		
o2) Maximum external leakage rate	%	N/A		
p1) Internal mixing rate	%	N/A		
p2) External mixing rate	%	N/A		
q) Visual filter warning	-	N/A		
r) Instructions to install regulated grilles	-	check the instruction booklet		
s) Internet address for pre/disassembly instructions	-	www.eltatrade.co.uk		
t) Airflow sensitivity to pressure variations	%	N/A; -	30	24
u) Indoor/outdoor air tightness	m ³ /h m ³ /4ac	52	84	132
v1) AEC - Annual electricity consumption - warm climates	kWh κBT ⁺ 4	1.4	1.4	1.3
v2) AEC - Annual electricity consumption - average climates	kWh κBT ⁺ 4	1.4	1.4	1.3
v3) AEC - Annual electricity consumption - cold climates	kWh	1.4	1.4	1.3
w1) AHS - Annual heating saved - warm climates	kWh	6.3	6.3	6.3
w2) AHS - Annual heating saved - average climates	kWh	14	14	14
w3) AHS - Annual heating saved - cold climates	kWh	27.3	27.3	27.3

a) Mark	-	ELTA TRADE		
b) Model	-	LUXE100HT	LUXE125HT	LUXE150HT
c) SEC class	-	C	C	C
c1) SEC warm climates	kWh/m ² .a	-9.6	-9.5	-9.7
c2) SEC average climates	kWh/m ² .a	-24	-23.9	-24.1
c3) SEC cold climates	kWh/m ² .a	-49.1	-49	-49.2
Energy label	-	No		
d) Unit typology	-	Residential - unidirectional		
e) Type of drive	-	single speed drive		
f) Type of Heat Recovery System	-	absent		
g) Thermal efficiency of heat recovery	%	N/A		
h) Maximum flow rate	m ³ /h	83	140	253
i) Electric power input at maximum flow rate	W	8.3	14.6	24.2
j) Sound power level (L _{WA})	dBA	47	55	63
k) Reference flow rate	m ³ /h	83	140	253
l) Reference pressure difference	Pa	10	10	10
m) Specific power input (SPI)	W/m ³ /h	0.1	0.104	0.096
n1) Control factor	-	0.65	0.65	0.65
n2) Control typology	-	Local demand control		
o1) Maximum internal leakage rate	%	N/A		
o2) Maximum external leakage rate	%	N/A		
p1) Internal mixing rate	%	N/A		
p2) External mixing rate	%	N/A		
q) Visual filter warning	-	N/A		
r) Instructions to install regulated grilles	-	check the instruction booklet		
s) Internet address for pre/disassembly instructions	-	www.eltatrade.co.uk		
t) Airflow sensitivity to pressure variations	%	N/A; -	30	24
u) Indoor/outdoor air tightness	m ³ /h m ³ /4ac	52	84	132
v1) AEC - Annual electricity consumption - warm climates	kWh kBt ^h /4	0.9	0.9	0.9
v2) AEC - Annual electricity consumption - average climates	kWh kBt ^h /4	0.9	0.9	0.9
v3) AEC - Annual electricity consumption - cold climates	kWh	0.9	0.9	0.9
w1) AHS - Annual heating saved - warm climates	kWh	11.9	11.9	11.9
w2) AHS - Annual heating saved - average climates	kWh	26.2	26.2	26.2
w3) AHS - Annual heating saved - cold climates	kWh	51.3	51.3	51.3



WARRANTY

Our 5 year warranty is provided only to customers who purchased directly from us. If you purchased elsewhere then please contact them directly and they will let you know their warranty procedure. Our warranty covers repair or replacement of defective goods only. It does not cover any labour costs associated with defective product or component removal or installation, nor does it cover the cost of sending goods back to us for inspection. Our warranty is subject to storage, installation, commissioning, inspection and maintenance having been carried out in accordance with our Installation and Maintenance Instructions (supplied with each product) and which are also available to view, save or print from our website.

Scan the QR code or visit www.eltatrade.co.uk/warranty to view further warranty information.



DISPOSAL AND RECYCLING

Information on disposal of units at the end of life.

This product complies with EU Directive 2002/96/EC. The symbol of the crossed-out dustbin indicates that this product must be collected separately from other waste at the end of its life. The user must, therefore, dispose of the product in question at suitable electronic and electro-technical waste disposal collection centres, or else send the product back to the retailer when purchasing a new, equivalent type device.

Separate collection of decommissioned equipment for recycling, treatment and environmentally compatible disposal helps to prevent negative effects on the environment and on health and promotes the recycling of the materials that make up the equipment.

Improper disposal of the product by the user may result in administrative sanctions as provided by law.

ELTA >>>
TRADE

Elta Trade is brought to you by Elta Fans Ltd. 46 Third Avenue, Kingswinford, West Midlands, DY6 7US. Manufactured in Italy.

01384 275771
info@eltatrade.co.uk
www.eltatrade.co.uk

A MEMBER OF  ELTA GROUP 



ELTA >>> TRADE

LUXE USER GUIDE



NOTE: The installer should go through the user guide with the home occupants and leave this with them for their reference.

WHAT IS A LUXE?

LUXE is an axial fan designed to ensure air extraction in small/medium-sized rooms such as bathrooms, toilets and kitchens.

HOW DOES IT WORK?

The fan is designed to work on an intermittent basis by extracting stale, humid air in your home from and via the wet room it is installed in. How it will work will depend on how the installer has set the fan to operate. Please see “Fan operation” confirmed by Installer.

WHAT ARE THE BENEFITS?

The LUXE can help improve the air quality within your home for the health and wellbeing of occupants as well as the building.

HOW DO I OPERATE THE FAN?

Your LUXE will have been set up by the Installer to operate in one of a number of ways. The Installer should indicate the method of “Fan operation” by ticking the appropriate box on the back of this sheet.

DOES IT NEED SERVICING?

The fan will need cleaning in line with the instructions in the Installation & Maintenance manual which is available to download from our website.

HOW MUCH DOES IT COST TO RUN?

There are several variables that can determine the annual electrical running costs of LUXE, however, at typical electricity costs as of June 2023, you should expect the fan to cost between £2-3 per year to run depending on usage.

WHAT IF I THINK THERE IS A PROBLEM WITH THE FAN?

If you are a tenant, please report it to your landlord. If you are not, please contact the company you purchased the fan from.



ELTA >>> TRADE

LUXE USER GUIDE

FAN OPERATION

Installer to tick as appropriate.

- The fan will operate when the light switch in the room where the fan is located is switched on, it will continue to run for a preset time between 1 and 25 minutes when the light switch is turned off.
- The fan will operate when the light switch in the room where the fan is located is switched on, it will continue to run for a preset time between 1 and 25 minutes when the light switch is turned off. The fan will also start automatically when humidity is detected and run until the humidity level drops.
- The fan is fully automatic and will continuously remove stale air from multiple rooms such as kitchens, utility rooms, bathrooms, shower rooms, en-suites, and toilets. In addition, it is linked to a manual speed controller to vary the fan speed.
- Other (Installer to specify here)



Scan the QR code for product and warranty information.

ELTA >>> TRADE

Elta Trade is brought to you by Elta Fans Ltd. 46 Third Avenue, Kingswinford, West Midlands, DY6 7US. Manufactured in Italy.
006147_00_0623.

01384 275771
info@eltatrade.co.uk
www.eltatrade.co.uk

A MEMBER OF  ELTA GROUP