

FGH-V Galeria, FGH/U-V Galeria, FGH/W-V Galeria

WOODEN BALCONY ROOF WINDOW



I. APPLICATION

	Balcony window
	Installed in roofs with pitches 35-55°

II. FEATURES

	Pinewood, natural colour (FGH), white NCS S0502-Y polyurethane (FGH/U) or acrylic (FGH/W)
	TopSafe system
	V40P automatic air inlet
	Quadruple sealing system
	Universal installation system
	Warm TGI spacer
	Handle Elegant

III. ADDITIONAL PRODUCTS USED WITH WINDOWS

Flashings	
	standard
	special
	combination

Control	
	manual
	electric

Mounting accessories	
	insulation sets
	linings
	auxiliary rafters
	bands
	frame extensions

External accessories	
	awning blinds
	roller shutters

Internal accessories	
	blackout blinds
	roller blinds
	standard roller shutters
	awning blinds
	pleated blinds

Other accessories	
	insect screen

IV. OPTIONS

	Wooden profiles painted in any RAL colour or one of the five transparent colours
	External cladding elements painted in any RAL colour or manufactured to match even the most unusual roofing colours (CU, TC)
	Window with a mullion bar
	Non-standard glazing unit

V. DECLARATION OF PERFORMANCE

Harmonized standard	EN 14351-1:2006+A1:2010
Number of Declaration of Performance	XXX/CPR/14351/xx Individual numbers of Declaration of Performance are to be found in the table with technical parameters

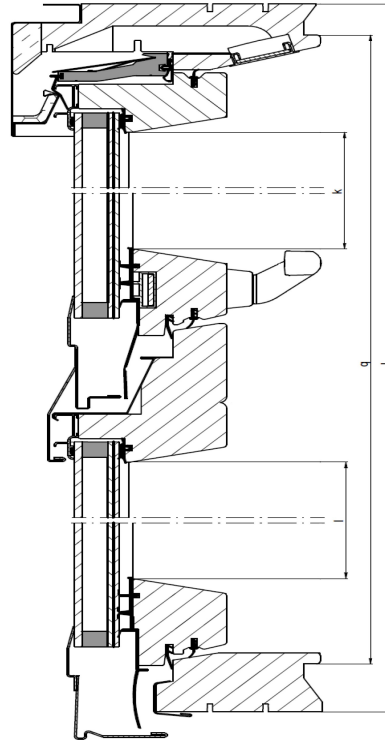
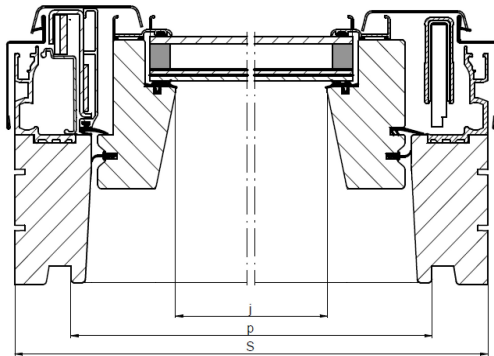
VI. TECHNICAL PARAMETERS

Technical parameters	Glazing unit type		standards
	P2	P5	
- Window heat transmittance coefficient U_w [W/m ² K]	1,5	1,1	EN 12567-2, EN 10077
- Glazing heat transmittance coefficient U_g [W/m ² K]	1,1	0,5	EN 673
- Acoustic performance R_w [dB]	35 (-1;-3)	34(-1,-4)	EN ISO 717-1
- max. capacity of air inlet [m ³ /h] - 10Pa	up to 49		EN 13141
- air permeability class	3	3	EN 1026, EN 12207
- light permeability τ_v	0,75	0,63	EN 410
- solar factor [g]	0,52	0,48	EN 410
- permeability UV	0,01	0,01	EN 410
- frame thermal insulation U_f [W/m ² K]	2,000*	npd	EN ISO 10077-1 EN ISO 10077-2
- thermal insulation of window frame connection with glazing ψ (psi) [W/mK]	0,049*	npd	EN ISO 10077-1 EN ISO 10077-2
Number of Declaration of Performance	G30/CPR/14351/16	G31/CPR/14351/16	EN 14351-1:2006+A1:2010

* Result of FAKRO internal tests

VII. DETAILED DIMENSIONS OF FGH-V Galeria WINDOWS

Window size	Size symbol	Frame external size		Distance between lining grooves		Glazing area		Glazing visible area
		S	L	p	q	j	k	$j \cdot (k+l)$
[cm]		[mm]						[m ²]
78 x 255	CD	777	2545	715	2488	599	1411	1,32
94 x 255	DD	937	2545	875	2488	759	1411	1,67



VIII. CAPACITY OF V40P AIR INLET

		Window width [cm]	
		78/..	94/..
Geometric area * [mm ²]		4 524	4 524
Pressure difference [Pa]			
1	[m ³ /h]	8,58	8,58
	[l/s]	2,38	2,38
2	[m ³ /h]	12,39	12,39
	[l/s]	3,44	3,44
10	[m ³ /h]	27,89	27,89
	[l/s]	7,75	7,75
20	[m ³ /h]	34,12	34,12
	[l/s]	9,48	9,48

* the smallest cross-section area of the air inlet channel

