

# CLASSIC SAX

**ELTA**

Window / Wall Mounted Axial Fan

---

» **Select** models available for next day delivery



# CLASSIC SAX

## Product Overview



- 2 standard sizes 230mm and 305mm
- Air volume flow rates up to 0.53 m<sup>3</sup>/s
- Static pressures up to 80 Pa
- Suitable for operating temperatures up to +40°C
- Available in **AC**

**Available in 2 sizes with a 5 speed reversible controller which allows a range of adjustment if duties are under or over achieving.**

### Intelligent Design

The SAX is designed for installation into windows, panels, ceilings, as well as most solid or cavity walls.

### Easy Installation

Designed and supplied with all the necessary fixings, which means 'easy fix mounting' by one installer alone for the complete installation of the fan.

### Corrosion Resistance

Units are manufactured from shock proof, heat resistant white plastic with a temperature stability of +107°C, robust, durable and non corrosive, with internal and external finger proof grille.

### Weather Resistance

Units are splash proof with IPX4 protection as required under current electrical regulations.

### Warranty

Each SAX unit has a two year warranty.

### Construction

All 'built in' units have a telescopic wall liner for installations between 240mm and 315mm and 5m 4 core cable to assist installation.

### Motor

Motors have sealed for life, self-lubricating bearings which do not require ventilation. They are sealed in a housing, ensuring quiet operation of the fan. Motors are Class B insulated to EN 60034-5 and are connected in accordance with EN60335-1, double insulated with in-built thermal overload protection. The range is suitable for operating temperatures up to +40°C.

### Impeller

Axial impellers are supplied with fixed blade angles to meet the required duty. The impeller construction comprises of white plastic.

### Typical Applications

- Pubs
- Restaurants
- Offices
- Kitchens
- Factories
- Schools
- Shops

### Contents

Page	Information
3	Performance, SFP & Electrical Data
4	Dimensional Data
5	Notes

# CLASSIC SAX



## Performance & Electrical Data

Single Phase 220V to 240V / 50Hz

Product Code	Speed r/min	Airflow m <sup>3</sup> /s	Pressure Pa	Motor Electrical Data		dBA @ 3m	
				Peak Amps	Input W		
SAX23/9*	1350	0.23	75	0.20	45	Inlet	49
SAX30/12*	1200	0.53	80	0.39	90	Inlet	51

\* Units that are suffixed with an A include a silent operated shutter. These are either intake only, extract only or both (in conjunction with a double pole switch). Units that are suffixed with an AR and ARB include silent operated shutters. These units are five speed extract and supply, operated through a control provided with the unit. Units suffixed with ARB include a telescopic steel wall liner

Data provided is at standard air density of 1.2 kg/m<sup>3</sup>.  
Exempt from ErP 327/2011 of the European Parliament. All units are below 125W.  
Peak Amps @ 230V / 1PH / 50Hz.

The overall A-weighted sound pressure level is at a distance of 3m with spherical free-field propagation. It is expressed in dB re-20μPa and is presented for comparative purposes only.

# CLASSIC SAX

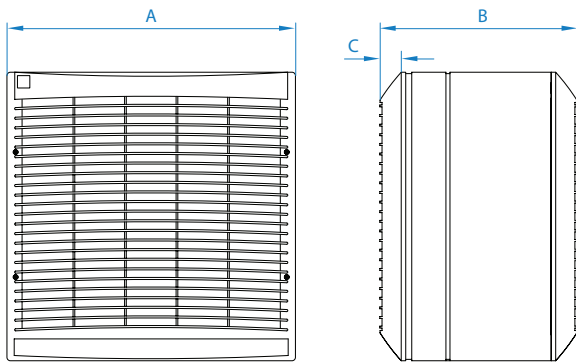


## Dimensional Data

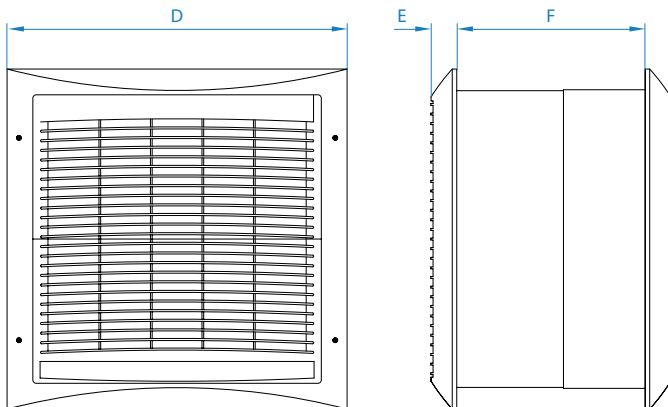
### Single Phase

Product Code	Fan Size	A	B	C	D	E	F	Weight kg
SAX23/9A	9	340	200	40	-	-	-	5
SAX23/9AR	9	340	200	40	-	-	-	6
SAX23/9ARB	9	-	-	-	415	40	240-315	11
SAX30/12A	12	420	230	40	-	-	-	8
SAX30/12AR	12	420	230	40	-	-	-	9
SAX30/12ARB	12	-	-	-	495	40	240-315	15

#### WINDOW / WALL MOUNT (A / AR WINDOW)



#### WALL MOUNT (ARB MODEL)



Dimensions are in mm.





# CLASSIC SAX

Notes

---

---

---

---

---

---

---

---

---

---

---

---

---

---

---

---

---

---

---

---

---

---

---

---

---

---

---

---

---

---

# ELTA

Tel **+44 (0) 1384 275800**  
Email **info@eltauk.com**  
**eltauk.com**

535-IOM0079 Issue A



BS EN ISO 9001:2015 FM 556465



A MEMBER OF  ELTA GROUP