

Features & Benefits:

- Key operated door
- Multiple cable entries
- Lots of cable space
- 2 mm² wire terminals



Fire Switch MCP, IP30
for Actulux smoke ventilation systems



Fire Switch MCP for Smoke Ventilation Systems, IP30

EASY INSTALLATION AND OPERATION

The fire switch is developed to be used together with the Actulux smoke ventilation system.

Key operated door, and buzzer silent when door opens.

Cable entry from top, bottom or back.

OPERATION INSTRUCTIONS

During fire: Break the glass and activate the red button.

During test: Open the door and activate the red button.

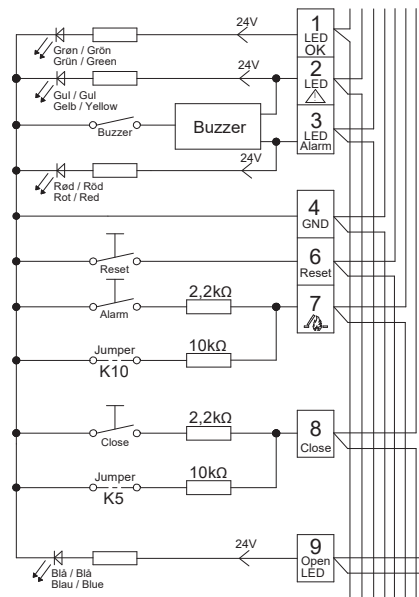
Closing and alarm reset: Open the door - activate the reset button, alarm is reset and skylights will close.

Connection diagram for MCP

Terminals (2 mm²):

1. Green LED, OK
2. Yellow LED, Failure
3. Red LED, ALARM
4. Ground (-)
6. Fire switch emergency closing (reset)
7. Fire switch emergency opening (fire)
9. Blue LED, OPEN indication

Jumper K10 must only be set in the last or only fire switch



SPECIFICATIONS

Function: Alarm (open), reset and buzzer off
LED indication: "ok" (green), "error" (yellow), "alarm activated" (red), "open" (blue)
Size: 125 mm x 125 mm x 38 mm (W x H x D)
Colour: Grey or orange (can be delivered in other colors on request)
IP rating: IP30, also available in IP43, IP54
Consumption on error: 2.2 mA
Item no.: 511789 (GREY) / 511790 (ORANGE)