

# 3 SPEED SWITCH

---

**ELTA**

>> **Select** models available for next day delivery



# 3 SPEED SWITCH

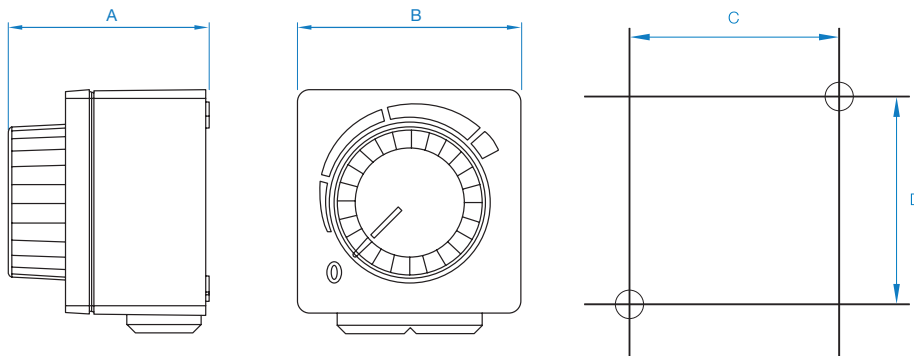
## Overview

- 3 step switch MTS
- Surface and flush mounting
- Maximum ambient temperature +50°C
- VDE
- Protection class IP44



**Single Phase** 220V to 240V / 50Hz or 60Hz

Product Code	ID	A	B	C	D	Weight kg
<b>149-MTS10</b>	128145	74	83	66.5	66.5	0.2



	$U_{max}$	Hz	$I_{max}$	$P_{max}$
<b>CE</b>	250V~	50Hz	4A	-
<b>RU</b>	120V~ 240V	60Hz 60Hz	-	1hp 2hp

### Legend

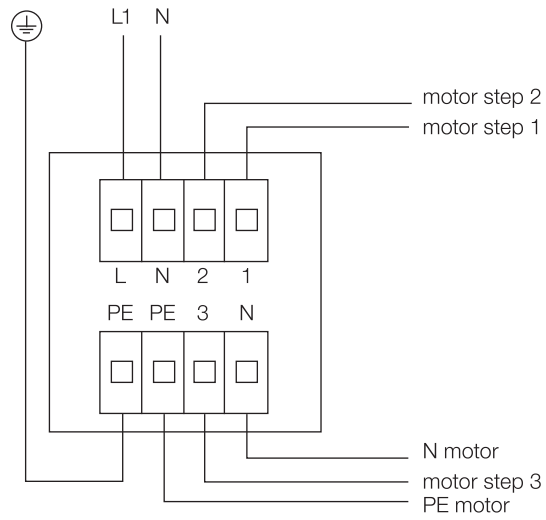
- $I_{max}$  Maximum operating current  
 $U_{max}$  Maximum Voltage  
 $P_{max}$  Maximum power

Dimensions are in mm.

# 3 SPEED SWITCH

## Wiring Diagram

### Wiring Diagram



Tel **+44 (0) 1384 275800**  
Email **info@eltauk.com**  
**eltauk.com**

MTS-03-2018 Issue A



BS EN ISO 9001:2015 FM 556465

